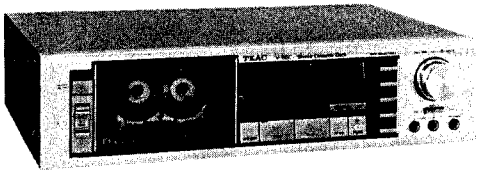


TEAC[®]



SERVICE MANUAL

V-66C

Stereo Cassette Deck

1 SPECIFICATIONS AND SERVICE DATA

SPECIFICATIONS

Track system 4-track, 2-channel stereo
2 Heads erase, record/playback
Type of tape Cassette tape, C-60 and C-90 (Phillips type)
Tape speed 4.8 cm/s (1-7/8 ips)
Input (level and impedance)
MIC: Specified input level: -57 dB (1.09 mV)/10 kohms
 Minimum input level: -67 dB (346 μ V)
LINE IN: Specified input level: -9 dB (275 mV)/50 kohms
 Minimum input level: -19 dB (86.9 mV)
Output (level and load impedance)
OUTPUT: Specified output level: -3.5 dB (518 mV)/50 kohms
PHONES: Specified output level: -17 dB (109 mV)/8 ohms
Equalization
METAL: 3180 μ s + 70 μ s
Co (CrO₂): 3180 μ s + 70 μ s
NORMAL: 3180 μ s + 120 μ s
Head configuration
 1/2-track, 1-channel erase head
 1/4-track, 2-channel record/playback
Motor 1 DC servo motor (for capstan drive)
 1 DC motor (for reel drive)
Bias frequency 100 kHz
Operation position Horizontal
Power requirements
 100/120/220/240 V AC, 50/60 Hz, 25 W (General export model)
 120 V AC, 60 Hz, 25 W (U.S.A./Canada model)
 220 V AC, 50 Hz, 25 W (Europe model)
 240 V AC, 50 Hz, 25 W (U.K./Australia model)
Weight 6.0 kg (13-4/16 lbs.) net
Dimensions

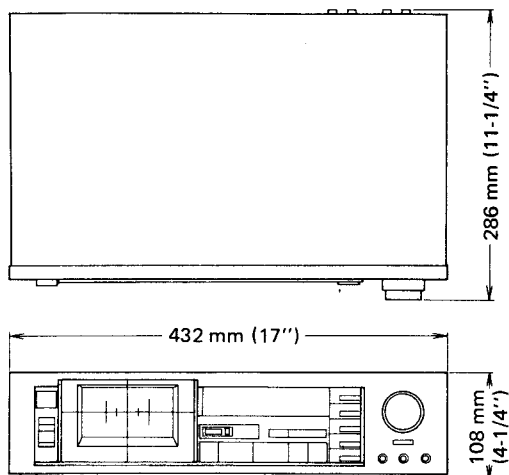


Fig. 1-1

SERVICE DATA

MECHANICAL

Tape speed deviation 3,000 Hz \pm 70 Hz
Tape speed drift 70 Hz
Wow and flutter
Playback: 0.06% (WRMS)
Record/playback: 0.25% (RMS)
Pinch roller pressure 350 g to 450 g (12.3 oz to 15.9 oz)
Reel torque
Take-up: 35 to 65 g-cm (0.49 to 0.90 oz-inch)
Supply: 2 to 4 g-cm (0.028 to 0.056 oz-inch)
F.F.: 80 to 150 g-cm (1.1 to 2.1 oz-inch)
REW: 80 to 150 g-cm (1.1 to 2.1 oz-inch)
Fast wind time
 90 sec. for MTT-501 (C-60)
Auto end-stop time 4 sec. or less

ELECTRICAL

Frequency response
Playback: See Fig. 5-6.
Overall: See Fig. 5-8.
Signal-to-noise ratio
Playback: NORMAL: 46 dB min.
Record/playback:
 METAL, Co (CrO₂): 45 dB min.
 NORMAL: 44 dB min.
Erase efficiency 65 dB min. at 1 kHz (measured with input 10 dB higher than the specified input level).
Channel Separation 30 dB min. at 1 kHz
Adjacent track crosstalk 40 dB min. at 125 Hz
Total harmonic distortion 2.2% or less with METAL/Co (CrO₂)
 2.0% or less with NORMAL

NOTES:

- Improvements may result in SPECIFICATIONS AND SERVICE DATA changes.
- Value of "dB" in the data refers to 0 dB (0.775 V), except where specified.

• Dolby Noise Reduction System is manufactured under license from Dolby Laboratories licensing Corporation. "Dolby" and the double-D symbol are trademarks of Dolby Laboratories Licensing Corporation.

CAUTION

- ⚠ Parts marked with this sign are safety critical components. They must always be replaced with identical components — refer to the TEAC parts list and ensure exact replacement.

2 REMOVAL OF EXTERNAL COMPONENTS

Disassemble in number-order

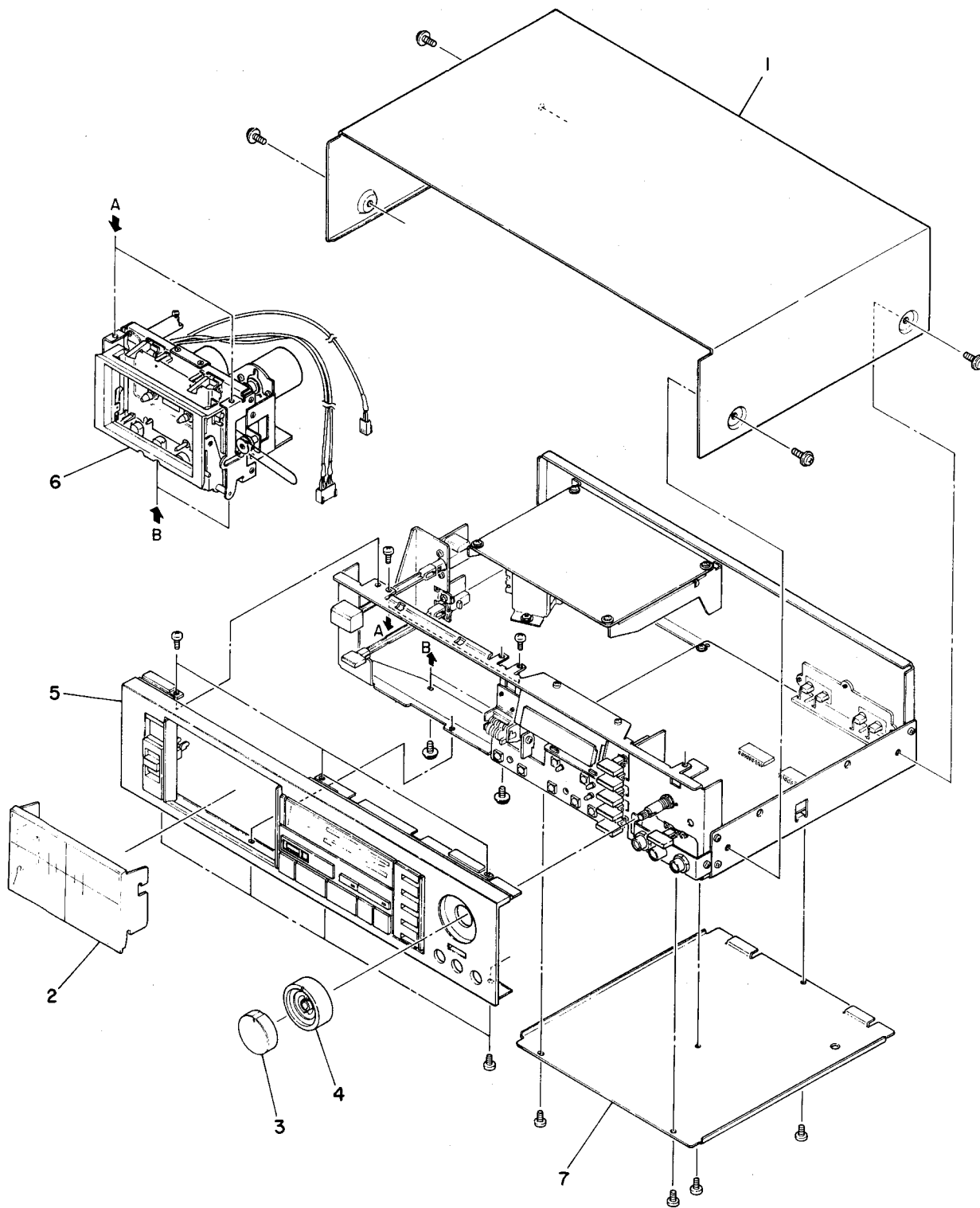


Fig. 2-1

3 PARTS LOCATION

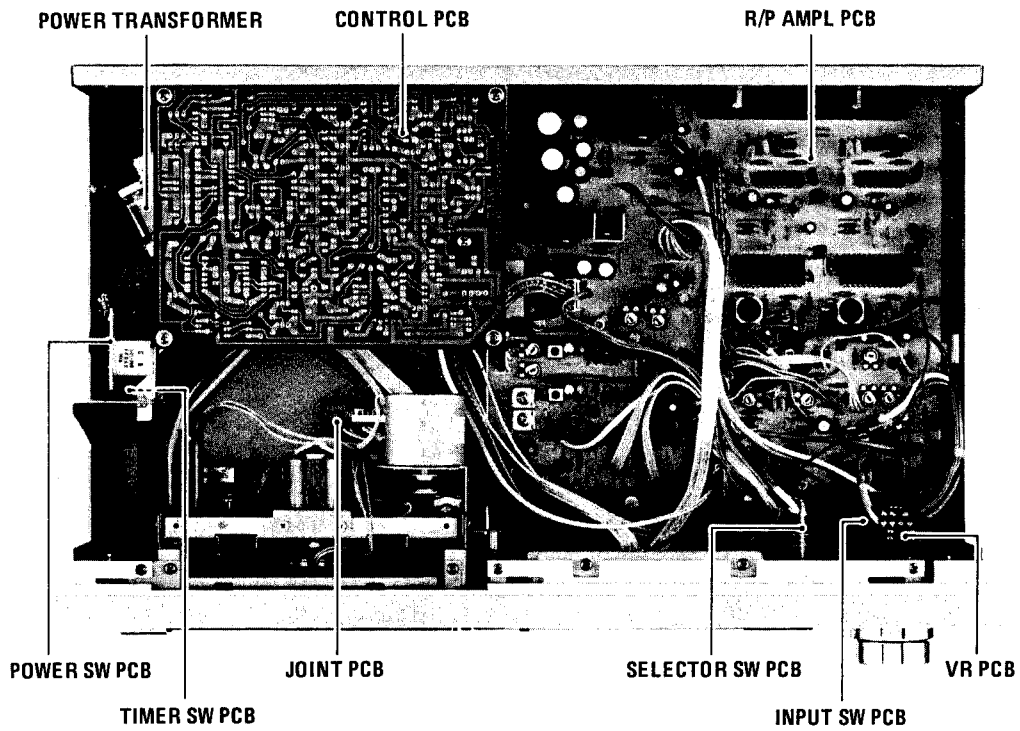


Fig. 3-1 Top view

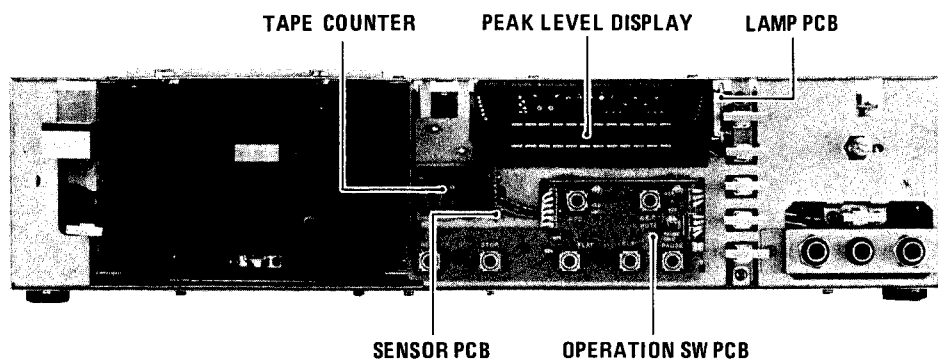


Fig. 3-2 Front view

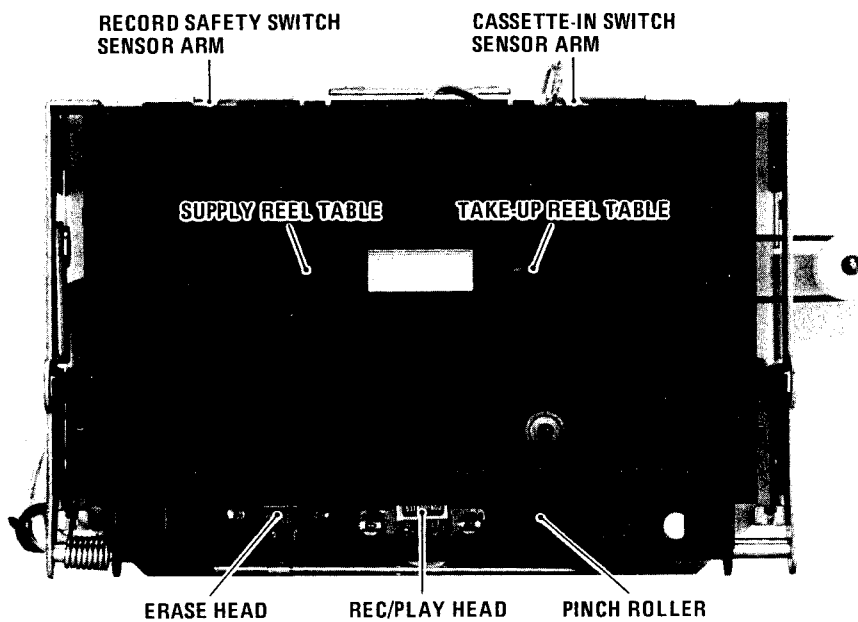


Fig. 3-3 Transport front view

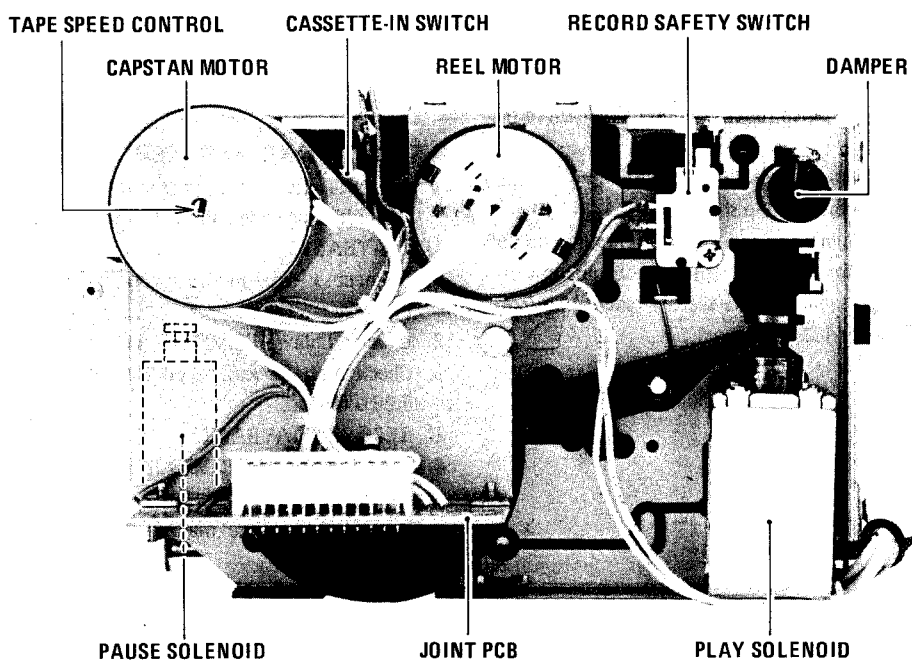


Fig. 3-4 Transport rear view

4 MECHANICAL CHECKS AND ADJUSTMENTS

4-1 PLAY SOLENOID

1. With the deck in the play mode, check that the pinch roller is pressing against the capstan shaft and that the pinch roller arm spring is released from the pinch roller arm.
2. If adjustment is required, adjust the position of the play solenoid.

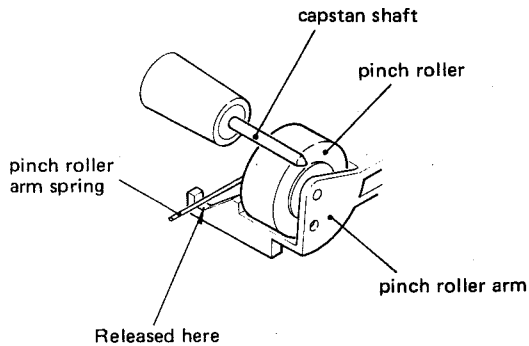


Fig. 4-1

4-2 PAUSE SOLENOID

1. The clearance between the pinch roller and the capstan shaft should be 0.3 – 0.5 mm when the deck is in the pause mode.
2. If adjustment is required, adjust the position of the pause solenoid.

4-3 PINCH ROLLER PRESSURE

1. With the cassette holder shut and no tape loaded, put the deck in the play mode after pushing the cassette-in switch sensor arm up-wards and holding it.
2. Hook a spring scale on the pinch roller assembly as shown in the illustration.
3. Pull the scale downwards until there is sufficient force to separate the pinch roller from the capstan shaft.
4. Ease pressure until the pinch roller makes just enough contact with the capstan shaft so that the pinch roller just begins to turn. At this point, note the reading on the scale. It should be from 350 g to 450 g (12.3 oz. to 15.9 oz.)

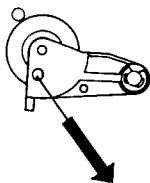


Fig. 4-2

4-4 REEL TORQUE

1. Load the cassette torque meter on the deck and read the pointer indication on the dial scale for each tape transport operation. The measured torque should be within the following values:
 Take-up: 35 to 65 g-cm (0.49 to 0.90 oz-inch)
 Supply: 2 to 4 g-cm (0.028 to 0.056 oz-inch)
 F.F./REW: 80 to 150 g-cm (1.1 to 2.1 oz-inch)

4-5 TAPE SPEED

1. Connect a frequency counter to the deck as shown in Fig. 4-3.
2. Play a tape for more than five minutes to warm up the deck, then load a TEAC MTT-111 test tape containing a 3000-Hz test tone and play the test tape.
3. While the tape is playing, use a non-metallic or insulated screwdriver and adjust the control on the capstan motor for a reading of 3015 to 3025 Hz on the frequency counter.
4. Play the tape at the beginning and at the end, and check that the speed deviation is within the prescribed limits by observing that the reading on the frequency counter never deviates more than ± 70 Hz from 3000 Hz, nor drifts more than 70 Hz at any given time.

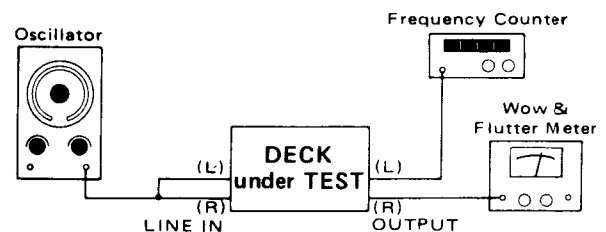


Fig. 4-3

4-6 WOW AND FLUTTER

Note: These measurements should be made at the beginning, middle, and the end of the tape.

- 1) **PLAYBACK**
 1. Connect a wow-and-flutter meter to the deck as shown in Fig. 4-3.
 2. Load and play a TEAC MTT-111 test tape.
 3. Check that the reading on the wow-and-flutter meter is within 0.06% (WRMS).
- 2) **RECORD/PLAYBACK**
 4. Load a blank TEAC MTT-501 test tape and record a 3000-Hz signal.
 5. Rewind the tape to the beginning of the recorded section, and play it.
 6. The wow and flutter should not be more than 0.25% (RMS).

4-7 LUBRICATION

Lubrication is only required when parts are replaced. For this purpose, use the oil and grease specified below.

Oil: TEAC spindle oil (from TEAC TZ-255 oil kit),
Mobil D.T.E. Oil Light, or equivalent

Grease: ORE-LUBE G1/3 or equivalent

1. Apply a drop of oil with an oil applicator to a point about 1/3 the way down the shaft, from the free end of the flywheel, then insert the shaft into the capstan housing.
2. Apply a suitable amount of light grease to the well of the flywheel bearing.

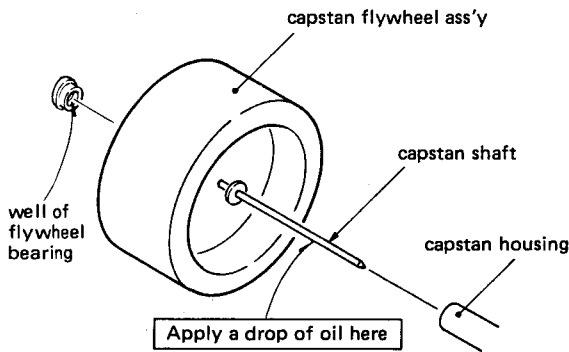


Fig. 4-4

4-8 VOLTAGE CONVERSION (GENERAL EXPORT MODELS ONLY)

1. Always disconnect the power line cord before making these adjustments.
2. Locate the voltage selector on the rear panel as shown in the illustration.
3. Using a regular screwdriver, turn the selector until the numerals corresponding to the required voltage appear.

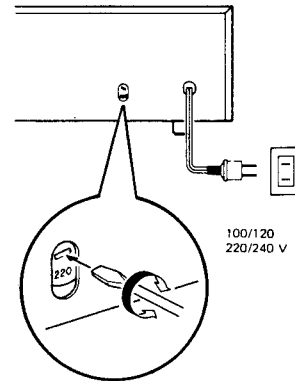


Fig. 4-5

5 ELECTRICAL CHECKS AND ADJUSTMENTS

PRECAUTIONS

1. Before performing adjustments and checks, clean and demagnetize the entire tape path.
2. Make sure the deck is properly set for the voltage in your locality.
3. In general, adjustments and checks are made in the order of L-ch then R-ch. Double REF. Nos. and test point designations indicate L-ch/R-ch. (Example: R12/22)
4. 0 dB is referenced to 0.775 V. If an AC voltmeter that references 0 dB to 1 V is used, appropriate compensation should be made.
5. The AC voltmeter used must have an input impedance of 1M-ohms or more.
6. Note the "Deck settings" at the top of each chart. The settings apply to all checks for the specific chart unless explicitly stated otherwise.

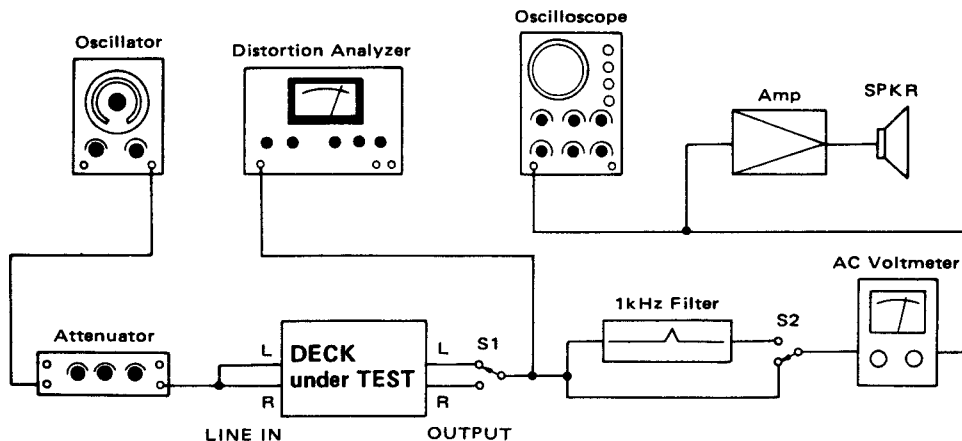
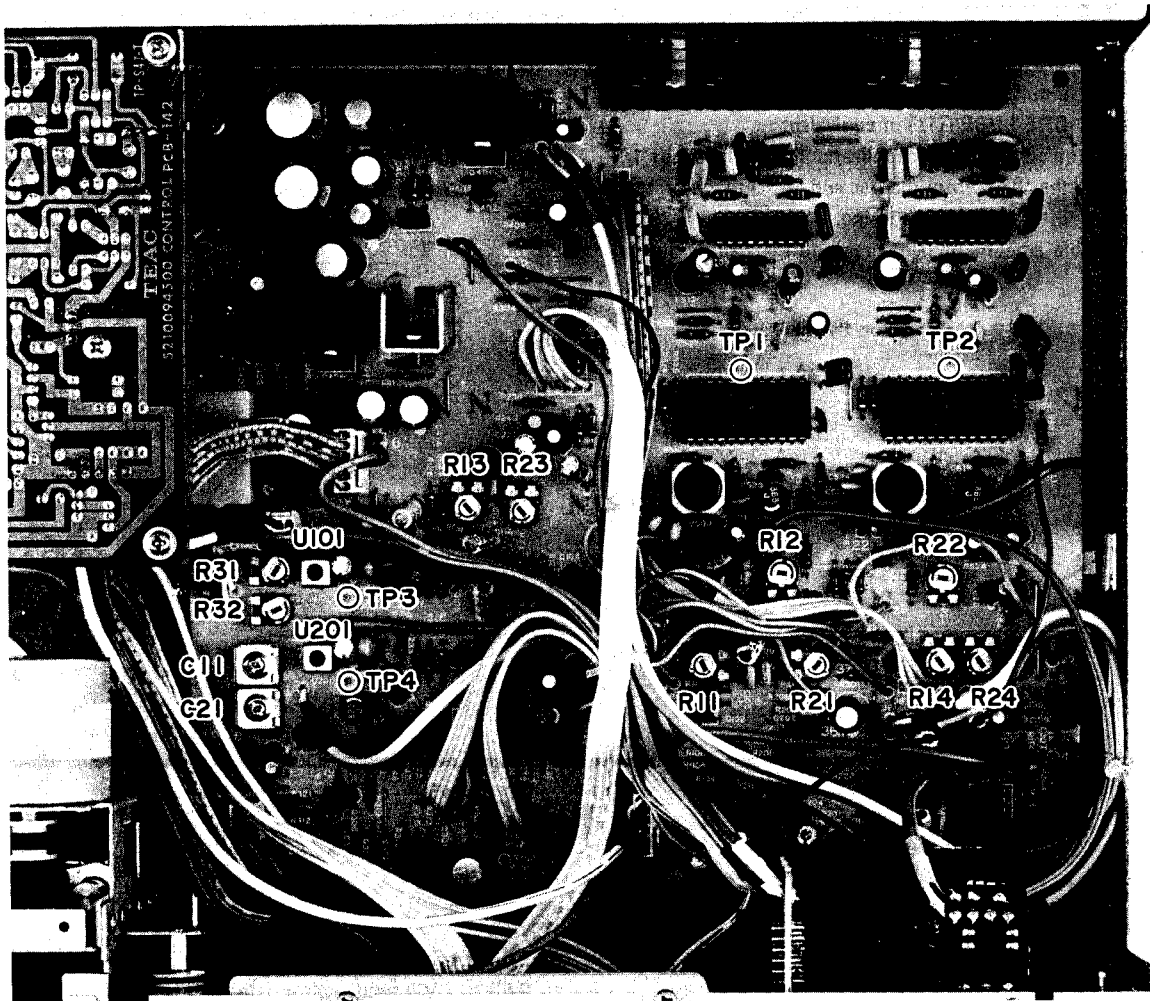


Fig. 5-1 Basic test setup



R11/R21	Playback EQ
R12/R22	Playback level
R13/R23	Record level
R14/R24	Meter level
C11/C21	Record bias – METAL
R31	Record bias – Co(CrO ₂)
R32	Record bias – NORMAL
U101/U201	Bias trap

Fig. 5-2 Adjustment and test point locations

TEAC test tapes:

MTT-150: For Dolby level calibration
 MTT-356: For playback frequency response check for METAL, Co (CrO₂)
 MTT-501: For S/N check with NORMAL

Deck settings:

TAPE SELECTOR sw: METAL
 DOLBY NR IN/OUT sw: OUT

5-1 PLAYBACK PERFORMANCE

ITEM	SETTING	INPUT SIGNAL	ADJUST (or CHECK)	MEASURING POINT: RESULT	REMARKS
1. REC/PLAY head azimuth	Connection: Fig. 5-3	MTT-150	Check	OUTPUT: Phase: within 45°	Refer to Fig. 5-5
		MTT-356 (12.5 kHz)	Azimuth screw of R/P heads (Fig. 5-4)	OUTPUT: Max. output at L- & R-ch's (on VTVM)	
2. Specified output level	—	MTT-150	R12/R22	TP1/TP2 387.5 mV (-6 dB)	
3. PEAK LEVEL DISPLAY	—	MTT-150	R14/R24	PEAK LEVEL DISPLAY 0 dB	
4. Frequency response	—	MTT-356 (315 Hz & 10 kHz)	R11/R21	OUTPUT: Adjust to obtain equal output at 315 Hz and 10 kHz.	
		MTT-356	Check	OUTPUT: Fig. 5-6	
		MTT-356 (10 kHz)	Check	OUTPUT: At 10 kHz should be approx. 4 dB higher than measured in METAL position.	
5. Signal-to-noise ratio	TAPE sw: NORMAL	Fully-erased MTT-501 tape (Use bulk tape eraser)	Check	OUTPUT: 46 dB min.	Ratio of spec. output of -3.5 dB to noise)

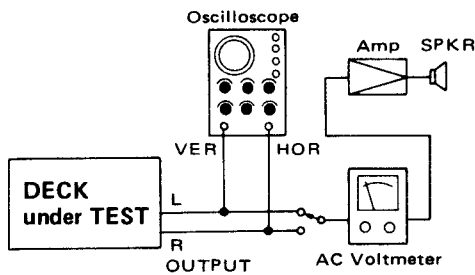


Fig. 5-3 Test setup for azimuth check

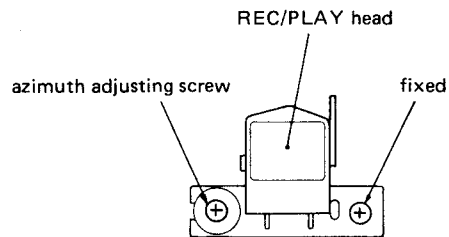


Fig. 5-4 Azimuth screw location

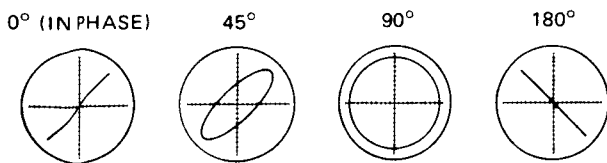


Fig. 5-5 Confirming phase relationship

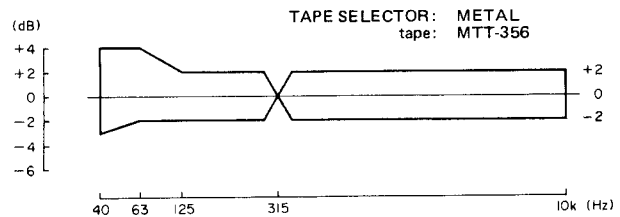


Fig. 5-6 Playback frequency response

Deck setting:
 REC-PAUSE mode
 DOLBY NR IN/OUT sw.: OUT
 INPUT sw.: LINE

5-2 MONITOR PERFORMANCE

ITEM	SETTING	INPUT SIGNAL	ADJUST (or CHECK)	MEASURING POINT: RESULT	REMARKS
6. Min. input level	RECORD cont.: Max.	INPUT sw.: MIC MIC: 400 Hz/-67 dB (346 μ V)	Check	OUTPUT: -3.5 dB \pm 3 dB (367 to 731 mV)	MIC min. input level
		INPUT sw.: LINE LINE IN: 400 Hz/-19 dB (86.9 mV)	Check	OUTPUT: -3.5 dB \pm 3 dB (367 to 731 mV)	LINE min. input level
7. Specified LINE input level	—	LINE IN: 400 Hz/-9 dB (275 mV)	RECORD cont. (L/R)	TP1/TP2 387.5 mV (-6 dB)	Specified setting of RECORD cont.
		LINE IN: 400 Hz/-9 dB (275 mV)	Check	OUTPUT: -3.5 dB \pm 1 dB (461 to 581 mV)	
IMPORTANT: Do not change the setting of the RECORD controls after establishing their setting as above.					
8. Headphone output level	Connection: Fig. 5-7	LINE IN: 400 Hz/-9 dB (275 mV)	Check	PHONES: -17 dB \pm 3 dB (77.5 to 155 mV)	8 ohm load
9. PEAK LEVEL DISPLAY	—	LINE IN: 400 Hz/-9 dB (275 mV)	Check	PEAK LEVEL DISPLAY 0 dB \pm 1 dB	

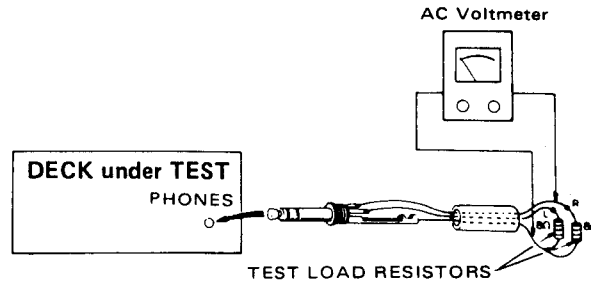


Fig. 5-7 Test setup for headphone check

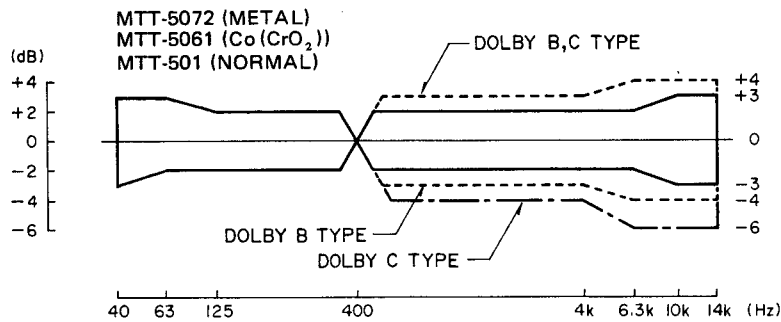


Fig. 5-8 Overall frequency response

DECK settings:

DOLBY NR IN/OUT sw.: OUT

INPUT sw.: LINE

RECORD controls (L/R): Specified position (item 7)

TEAC test tapes:

MTT-5061: For record test with Co (CrO₂)

MTT-501: For record test with NORMAL

MTT-5072: For record test with METAL

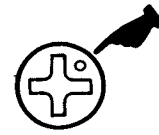
5-3 RECORDING PERFORMANCE

ITEM	SETTING	INPUT SIGNAL	ADJUST (or CHECK)	MEASURING POINT: RESULT	REMARKS
10. BIAS trap	Record-pause mode	LINE IN: No signal	U101/U201	TP3/TP4 Min. reading	
11. Record bias	1) Turn trim pots R31 and R32 fully clockwise for each trim pot to have minimum value. Then adjust in the order of steps (2) (3) (4).				
	2) TAPE sw.: METAL Tape: MTT-5072	LINE IN: 400 Hz & 10 kHz alternately/-42 dB (6.15 mV)	C11/C21	OUTPUT: Nearly equal level at both frequencies	
	3) TAPE sw.: Co (CrO ₂) Tape: MTT-5061	LINE IN: 400 Hz & 10 kHz alternately/-42 dB (6.15 mV)	R31	OUTPUT: Nearly equal level at both frequencies	... For L- & R-ch's
	4) TAPE sw.: NORMAL Tape: MTT-501	LINE IN: 400 Hz & 10 kHz alternately/-42 dB (6.15 mV)	R32	OUTPUT: Nearly equal level at both frequencies	... For L- & R-ch's
12. Record level	TAPE sw.: METAL Tape: MTT-5072	LINE IN: 400 Hz/-12 dB (195 mV)	R13/R23	OUTPUT: -6.5 dB (367 mV)	
	TAPE sw.: Co (CrO ₂) Tape: MTT-5061	LINE IN: 400 Hz/-12 dB (195 mV)	Check	OUTPUT: -6.5 dB ±1.5 dB (308 to 436 mV)	
	TAPE sw.: NORMAL Tape: MTT-501	LINE IN: 400 Hz/-12 dB (195 mV)	Check	OUTPUT: -6.5 dB ±1.5 dB (308 to 436 mV)	
13. Frequency response	TAPE sw.: METAL Tape: MTT-5072	LINE IN: Required signal/ -42 dB (6.15 mV)	Check	OUTPUT: Fig. 5-8	
	TAPE sw.: Co (CrO ₂) Tape: MTT-5061	LINE IN: Required signal/ -42 dB (6.15 mV)	Check	OUTPUT: Fig. 5-8	
	TAPE sw.: NORMAL Tape: MTT-501	LINE IN: Required signal/ -42 dB (6.15 mV)	Check	OUTPUT: Fig. 5-8	
If frequency response is out of specification, recheck #11 "Record bias".					
14. Total harmonic distortion	Same as 12 above.	LINE IN: 400 Hz/-12 dB (195 mV)	Check	OUTPUT: 2.2% or less with METAL, Co (CrO ₂) 2.0% or less with NORMAL	
15. Signal-to-noise ratio	TAPE sw.: METAL Tape: MTT-5072	LINE IN: 1 kHz/-9 dB (275 mV) ↓ no signal	Check	OUTPUT: 45 dB min.	Ratio of specified output of -3.5 dB to noise
	TAPE sw.: Co (CrO ₂) Tape: MTT-5061	LINE IN: 1 kHz/-9 dB (275 mV) ↓ no signal	Check	OUTPUT: 45 dB min.	
	TAPE sw.: NORMAL Tape: MTT-501	LINE IN: 1 kHz/-9 dB (275 mV) ↓ no signal	Check	OUTPUT: 44 dB min.	

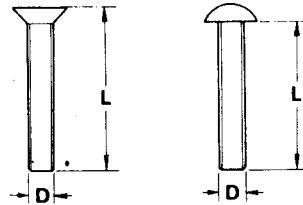
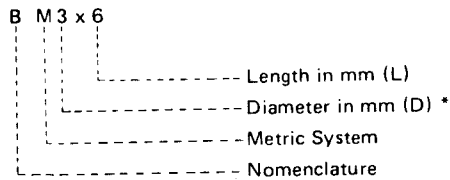
ITEM	SETTING	INPUT SIGNAL	ADJUST (or CHECK)	MEASURING POINT: RESULT	REMARKS
16. Erase efficiency	<ul style="list-style-type: none"> • Connection is same as in Fig. 5-1, but engage 1-kHz filter. • Record a 1-kHz signal. Rewind tape to midpoint of recorded portion. Record a "no signal" portion. Find the difference between the 1-kHz portion and the "no-signal" portion. 				
	TAPE sw.: METAL Tape: MTT-5072	LINE IN: 1 kHz/+1 dB (0.869 V) ↓ no signal	Check	OUTPUT: 65 dB min. ratio	Ref. output level: +6.5 dB (1.64 V)
17. REC MUTE function	<ul style="list-style-type: none"> • Connection: Fig. 5-1, but engage 1-kHz filter. • Record a 1-kHz signal. Hold REC MUTE button depressed for several seconds. (At this time, make sure LED on the button lights). Rewind and play the tape. Find the difference between the 1-kHz portion and the "no-signal" portion. 				
	TAPE sw.: METAL Tape: MTT-5072	LINE IN: 1 kHz/+1 dB (0.869 V) ↓ no signal	Check	OUTPUT: 65 dB min. ratio	Ref. output level: +6.5 dB (1.64 V)
18. Channel separation	<ul style="list-style-type: none"> • Connection: Fig. 5-1, but do not connect LINE IN (R), and engage 1-kHz filter. • Set the deck to record mode. Find the difference between the 1-kHz recorded portion (L-ch) and the "no-signal" portion (R-ch). 				
	TAPE sw.: Co (CrO ₂) Tape: MTT-5061	LINE IN: L-ch 1 kHz/-9 dB (275 mV) R-ch No signal	Check	OUTPUT: 30 dB min. ratio	
19. Adjacent track crosstalk	<ul style="list-style-type: none"> • Connection: Fig. 5-1, but do not connect LINE IN (L) and OUTPUT (L). • Record a 125-Hz signal on R-ch and note output level. Invert tape and play R-ch track. Check leakage level against the output reference of previously recorded portion. 				
	TAPE sw.: Co (CrO ₂) Tape: MTT-5061	LINE IN: L-ch No signal R-ch 125 Hz/-9 dB (275 mV)	Check	OUTPUT: 40 dB min. ratio	
20. Dolby NR effect (B-type)	<ul style="list-style-type: none"> • Record a 1-kHz signal with DOLBY NR IN/OUT switch in OUT and Dolby NR Type Selector switch in B-NR. Play this portion with DOLBY NR IN/OUT switch set to OUT and IN. Obtain the difference in output level between OUT and IN positions. Repeat the above process using a 10-kHz signal. 				
	TAPE sw.: METAL Tape: MTT-5072	LINE IN: 1 kHz/-29 dB (27.5 mV)	Check	OUTPUT: Variation 3 dB ~ 8 dB	
	TAPE sw.: METAL Tape: MTT-5072	LINE IN: 10 kHz/-39 dB (8.69 mV)	Check	OUTPUT: Variation 8 dB ~ 12 dB	
21. Dolby NR effect (C-type)	<ul style="list-style-type: none"> • Repeat the same procedure above, except see that the Dolby NR Type Selector switch is set to C-NR. 				
	TAPE sw.: METAL Tape: MTT-5072	LINE IN: 1 kHz/-39 dB (8.69 mV)	Check	OUTPUT: Variation 16 dB ~ 20 dB	
	TAPE sw.: METAL Tape: MTT-5072	LINE IN: 10 kHz/-49 dB (2.75 mV)	Check	OUTPUT: Variation 16 dB ~ 20 dB	

ASSEMBLING HARDWARE CODING LIST

All screws conform to ISO standards, and have crossrecessed heads, unless otherwise noted. ISO screws have the head inscribed with a point as in the figure to the right.



FOR EXAMPLE:

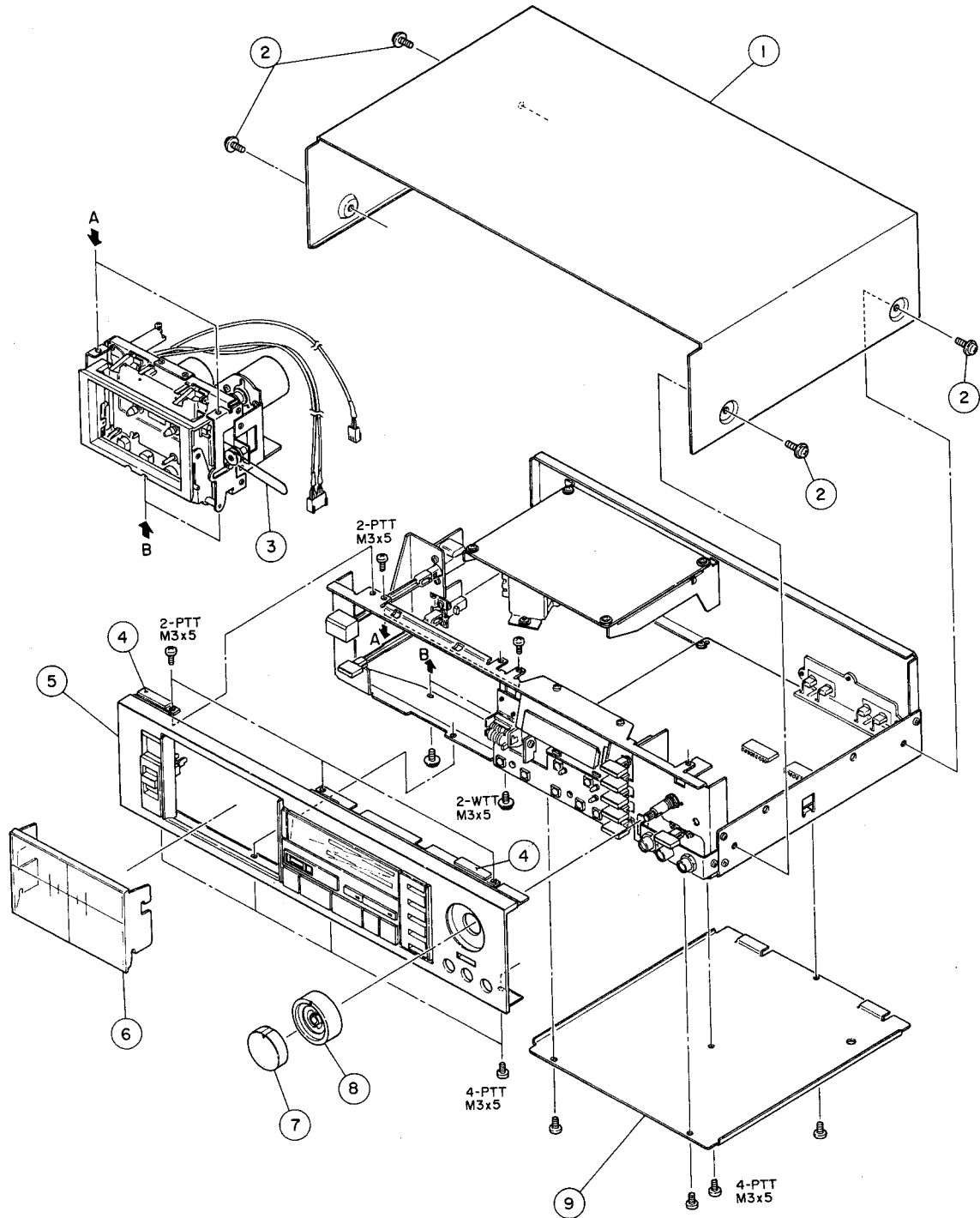


* Inner dia. for washers and nuts

	Code	Name	Type		Code	Name	Type
MACHINE SCREW	R	Round Head Screw		TAPPING SCREW	BTA	Binding Head Tapping Screw(A Type)	
	P	Pan Head Screw			BTB	Binding Head Tapping Screw(B Type)	
	T	Stove Head Screw (Truss)			RTA	Round Head Tapping Screw(A Type)	
	B	Binding Head Screw			RTB	Round Head Tapping Screw(B Type)	
	F	Flat Countersunk Head Screw		SETSCREW	SF	Hex Socket Setscrew(Flat Point)	
	O	Oval Countersunk Head Screw			SC	Hex Socket Setscrew(Cup Point)	
WOOD SCREW	RW	Round Head Wood Screw		SS	Slotted Socket Setscrew(Flat Point)		
TAPTITE SCREW	PTT	Pan Head Taptite Screw		WASHER	E	E-Ring (Retaining Washer)	
	WTT	Washer Head Taptite Screw			W	Flat Washer (Plain)	
SEMS SCREW	BSA	Binding Head SEMS Screw(A Type)			SW	Lock Washer (Spring)	
	BSB	Binding Head SEMS Screw(B Type)			LWI	Lock Washer (Internal Teeth)	
	BSF	Binding Head SEMS Screw(F Type)			LWE	Lock Washer (External Teeth)	
	PSA	Pan Head SEMS Screw(A Type)		TW	Trim Washer (Countersunk)		
	PSB	Pan Head SEMS Screw(B Type)		NUT	N	Hex Nut	

6 EXPLODED VIEWS AND PARTS LIST

EXPLODED VIEW-1



Parts marked with *require longer delivery time.

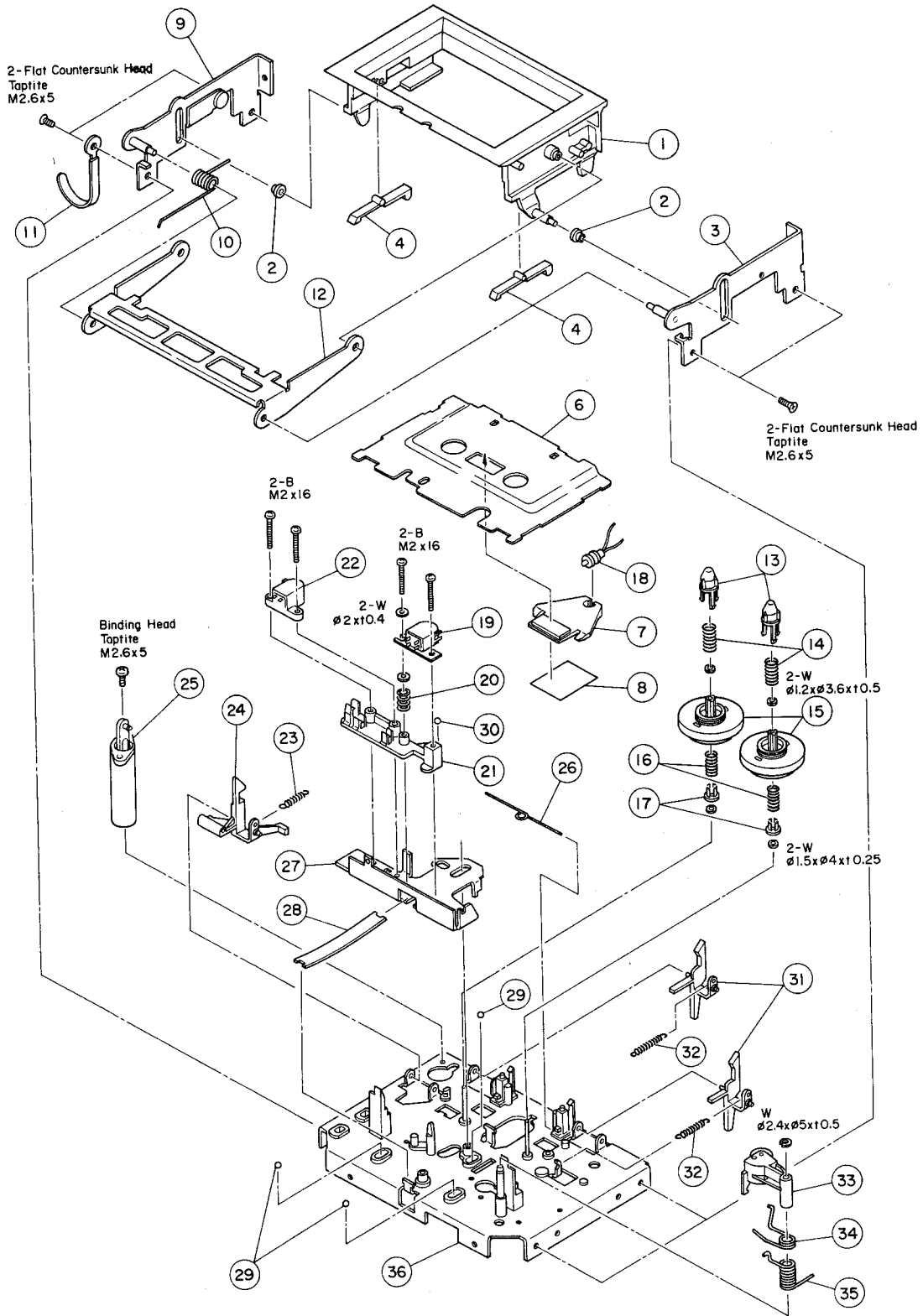
REF. NO.	PARTS NO.	DESCRIPTION	REMARKS
1 - 1	*5800393200	Cover, Top	
1 - 2	*5783084008	Screw, M4 x 8 (BLK NI)	
1 - 3	*5800390700	Belt, Counter; B	
1 - 4	*5555700000	Cushion, Top Cover; B	
1 - 5	*5640037800	Panel Assy, Front	
1 - 6	5800393300	Cover, Cassette	
1 - 7	5800379302	Knob, L	
1 - 8	5800379400	Knob, R	
1 - 9	*5800391000	Cover, Bottom	

INCLUDED ACCESSORIES

REF. NO.	PARTS NO.	DESCRIPTION	REMARKS
	5700037500	V-66C Owner's Manual [J]	
	5700037600	V-66C Owner's Manual [US]	
	5700037700	V-66C Owner's Manual [All except J, US]	
	5101345000	Information Supplement [US]	
	5101495000	Information Supplement [All except J, US]	
	5128107000	Cord Assy, In-output	

[US]: U.S.A. [C]: CANADA [GE]: GENERAL EXPORT [E]: EUROPE [UK]: U.K.
 [A]: AUSTRALIA [J]: JAPAN

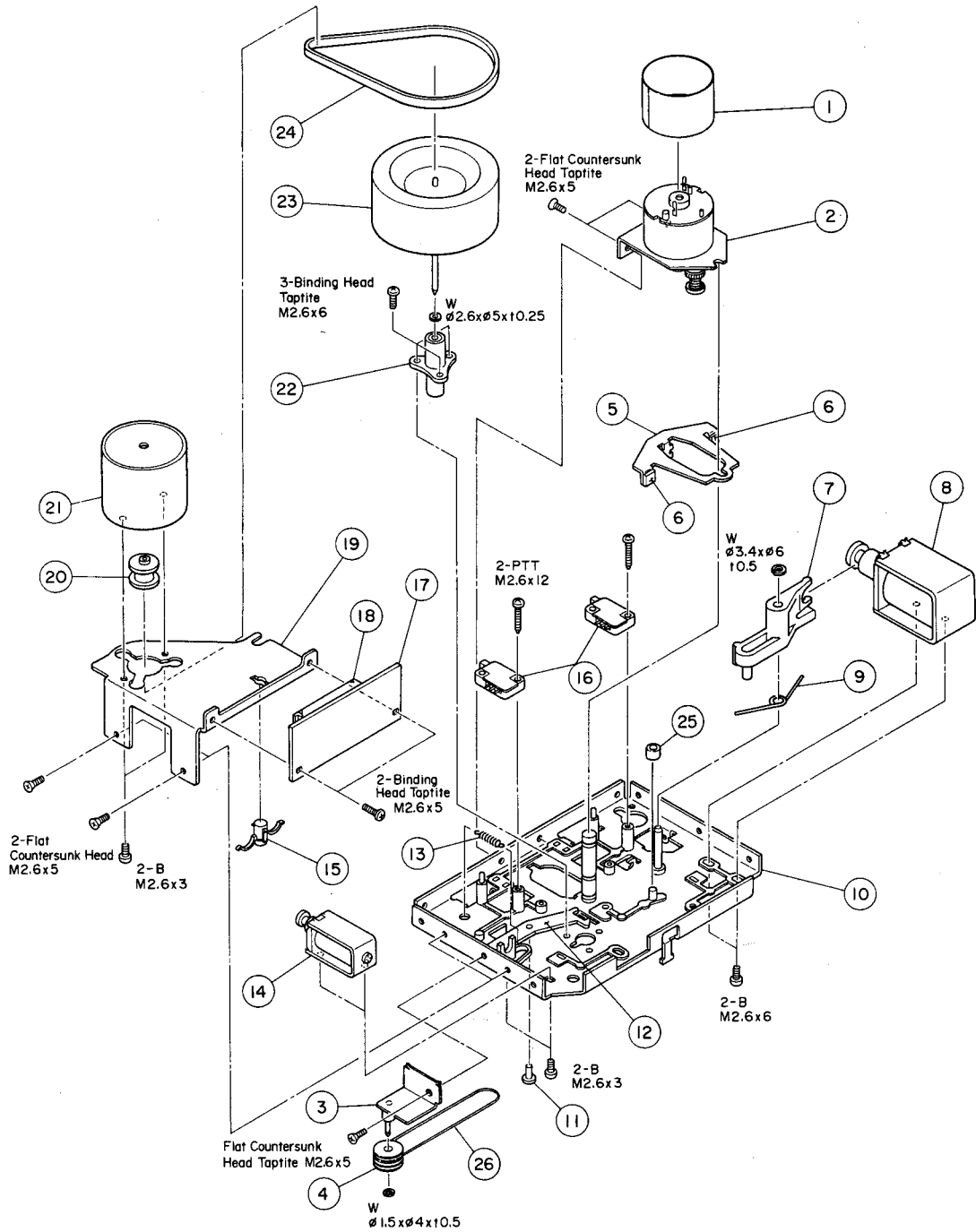
EXPLODED VIEW-2



Parts marked with *require longer delivery time.

REF. NO.	PARTS NO.	DESCRIPTION	REMARKS
2 - 1	*5800379800	Holder, Cassette	
2 - 2	*5800233600	Roller, Guide	
2 - 3	*5800389400	Bracket Assy, Holder; R	
2 - 4	*5800233500	Lever, Cassette Pressure	
2 - 5		(Not used)	
2 - 6	*5800237400	Panel, Cassette	
2 - 7	*5800237501	Lens, Cassette	
2 - 8	*5800234300	Plate, Reflector	
2 - 9	*5800389200	Bracket Assy, Holder; L	
2 - 10	*5800234201	Spring, Holder	
2 - 11	*5581038000	Clamper, Cord; A	
2 - 12	*5800237100	Arm, Holder	
2 - 13	*5800236500	Ring, Drive	
2 - 14	*5800231300	Spring, Reel	
2 - 15	5800231100	Table Assy, Reel	
2 - 16	*5800231400	Spring, B.T.	
2 - 17	*5800231500	Holder, Spring	
2 - 18	5310006500	Lamp, DC12V 60mA	
2 - 19	5378901800	Head, REC/PLAY	
2 - 20	*5800114700	Spring, Head	
2 - 21	*5800238200	Holder, Head; A	
2 - 22	5378900300	Head, Erase	
2 - 23	*5800232000	Spring, Lock	
2 - 24	*5800238100	Arm, Lock	
2 - 25	*5800294600	Damper Assy, Air	
2 - 26	*5800231700	Spring, Brake	
2 - 27	*5800236700	Plate, Head Base; A	
2 - 28	*5800231800	Plate, Head Base Pressure	
2 - 29	5540056000	Steel Ball, $\phi 3$	
2 - 30	5540055000	Steel Ball, $\phi 2$	
2 - 31	*5800236300	Arm, Sensor	
2 - 32	*5800232100	Spring, Sensor	
2 - 33	5800120402	Arm Assy, Pinch Roller	
2 - 34	*5800353000	Spring, Pinch Roller Arm	
2 - 35	*5800231901	Spring, Arm Return	
2 - 36	*5800238001	Sub-chassis Assy, Mechanism	

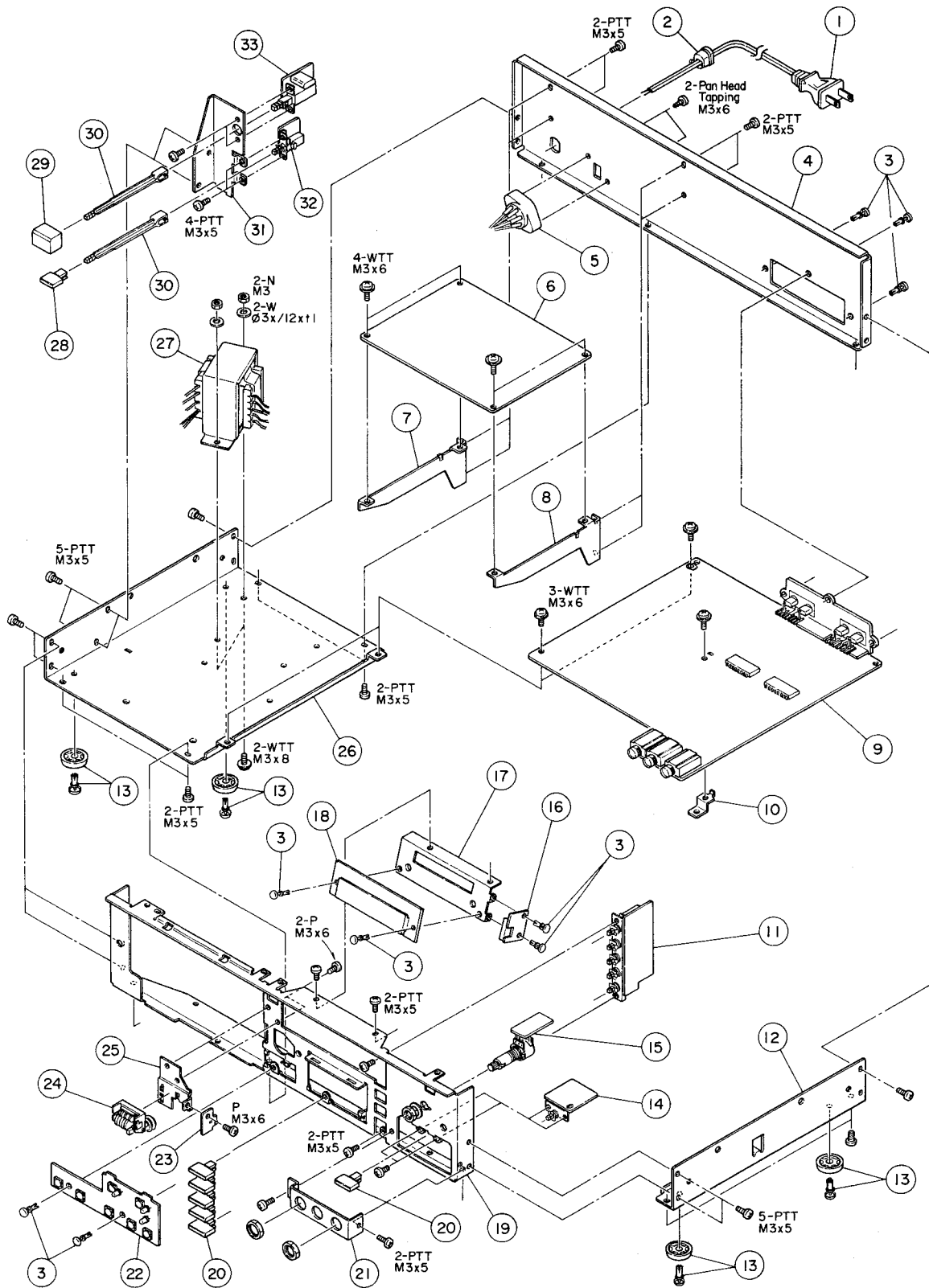
EXPLODED VIEW-3



Parts marked with *require longer delivery time.

REF. NO.	PARTS NO.	DESCRIPTION	REMARKS
3 - 1	*5800235900	Plate, Shield	
3 - 2	5800430500	Motor Assy, Reel	
3 - 3	*5800390000	Bracket Assy, Relay Pulley	
3 - 4	*5800390500	Pulley, Relay	
3 - 5	*5800236600	Plate, Brake	
3 - 6	*5800231600	Shoe, Brake	
3 - 7	*5800236100	Arm, Play	
3 - 8	5313001300	Solenoid, A	
3 - 9	*5800230800	Spring, Base Return	
3 - 10	*5800238001	Sub-chassis Assy, Mchanism	
3 - 11	*5800231000	Pin	
3 - 12	*5800236200	Arm, Pause	
3 - 13	*5800324800	Spring, Pause Arm	
3 - 14	5313001400	Solenoid, B	
3 - 15	*5800236900	Bearing, Thrust	
3 - 16	5300908500	Switch, Slide; 2 - 1 (N)	
3 - 17	*5200066701	PCB Assy, JOINT	
3 - 18	*5336089200	Connector Socket, 12P	
3 - 19	*5800236800	Bracket, Capstan Motor	
3 - 20	*5800232200	Pulley, Motor	
3 - 21	5370002400	Motor, Capstan; DC	
3 - 22	5800238800	Housing Assy, Capstan	
3 - 23	5800238600	Flywheel Assy, Capstan	
3 - 24	5800106900	Belt, Capstan Drive	
3 - 25	*5800230901	Cushion	
3 - 26	5800386900	Belt, Counter; A	

EXPLODED VIEW-4



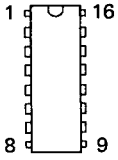
Parts marked with *require longer delivery time.

REF. NO.	PARTS NO.	DESCRIPTION	REMARKS
4 - 1	△*5128034000	Cord, AC Power [J]	
	△*5128075000	Cord, AC Power [US, C, GE]	
	△*5350008200	Cord, AC Power [E]	
	△*5128047000	Cord, AC Power [UK]	
	△*5350008300	Cord, AC Power [A]	
4 - 2	*5534660000	Strain Relief, Cord; 4N-4 [All except UK]	
	*5534661000	Strain Relief, Cord; 4K-1 [UK]	
4 - 3	*5534118000	Rivet, Push	
4 - 4	*5800391501	Panel, Rear	
4 - 5	*5302101700	Switch, Voltage Selector [EX]	
4 - 6	*5200094501	PCB Assy, CONTROL	
4 - 7	*5800391200	Bracket, PCB; L	
4 - 8	*5800391300	Bracket, PCB; R	
4 - 9	*5200093902	PCB Assy, REC/PLAY AMPL.	
4 - 10	*5800391400	Bracket, PCB; A	
4 - 11	*5200094000	PCB Assy, SELECTOR SW	
4 - 12	*5800390900	Chassis, R	
4 - 13	*5730003300	Foot	
4 - 14	*5200094100	PCB Assy, INPUT SW	
4 - 15	*5200094200	PCB Assy, VR	
4 - 16	*5200094300	PCB Assy, LAMP	
4 - 17	*5800389800	Bracket, Meter	
4 - 18	*5296005800	Meter, Level	
4 - 19	*5800389602	Chassis, Front	
4 - 20	5800379101	Button, Push; A	
4 - 21	*5800389700	Holder, Jack	
4 - 22	*5200094600	PCB Assy, OPERATION SW	
4 - 23	*5200094800	PCB Assy, SENSOR	
4 - 24	5800390600	Counter Assy	
4 - 25	*5800389901	Bracket, Counter	
4 - 26	*5800390800	Chassis, L	
4 - 27	△*5320017800	Transformer, Power [J]	
	△*5320017900	Transformer, Power [US, C]	
	△*5320018000	Transformer, Power [GE]	
	△*5320018100	Transformer, Power [E, UK, A]	
4 - 28	5800394801	Button, Timer	
4 - 29	5800379500	Button, Power	
4 - 30	*5800253700	Rod, Joijt	
4 - 31	*5800391100	Bracket, Switch	
4 - 32	*5200094700	PCB Assy, TIMER	
4 - 33	*5200073200	PCB Assy, POWER SW [J]	
	*5200073210	PCB Assy, POWER SW [US]	
	*5200073220	PCB Assy, POWER SW [C]	
	*5200073230	PCB Assy, POWER SW [GE]	
	*5200073240	PCB Assy, POWER SW [E, UK]	
	*5200073250	PCB Assy, POWER SW [A]	

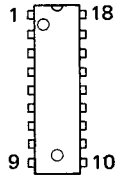
[US]: U.S.A. [C]: CANADA [GE]: GENERAL EXPORT [E]: EUROPE [UK]: U.K.
 [A]: AUSTRALIA [J]: JAPAN

SEMICONDUCTOR ELECTRODES

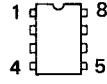
M54410P
(TOP VIEW)



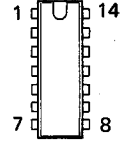
NE652N
(TOP VIEW)



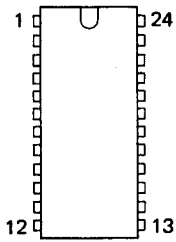
TA75557P
(TOP VIEW)



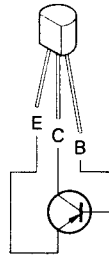
SN7400N
(TOP VIEW)



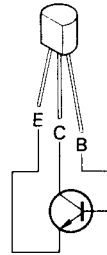
NE654N
(TOP VIEW)



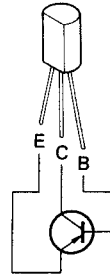
2SA7339
2SA950Y
2SA992E



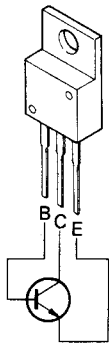
2SC1327T
2SC1684S
2SC1815GR
2SC1843F
2SC1844F
2SC2120Y
2SC945AK
2SD655E



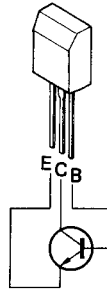
2SA1020Y



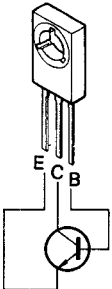
2SD313E



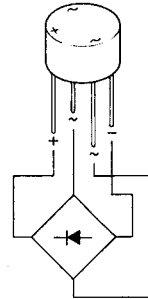
2SD571LA



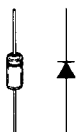
2SC2877Y



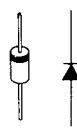
W02



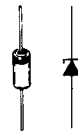
1S2473HJ



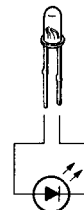
DS135



RD4.7EB1
RD5.6EB2
RD13EB3
RD22EB3

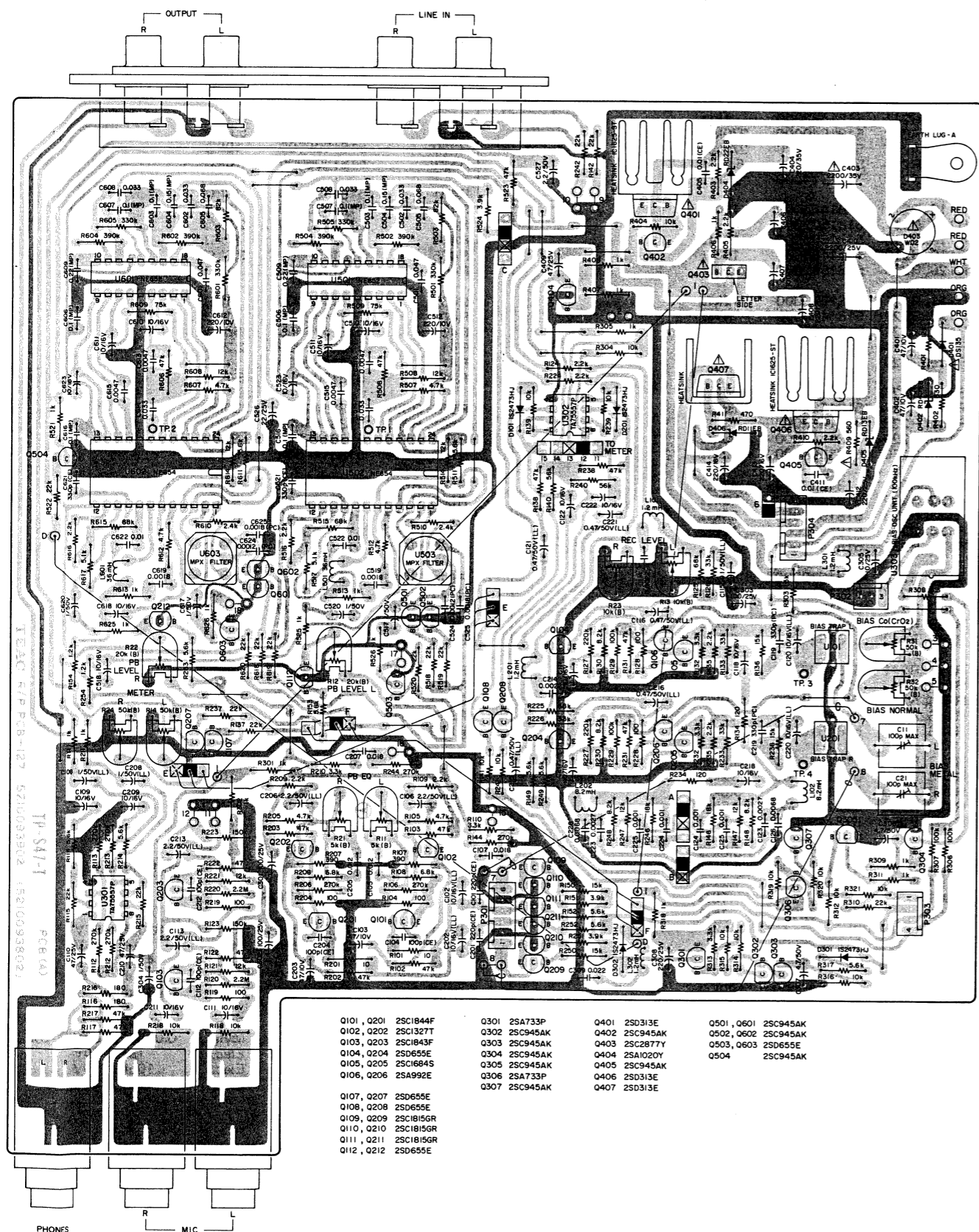


SLP-135

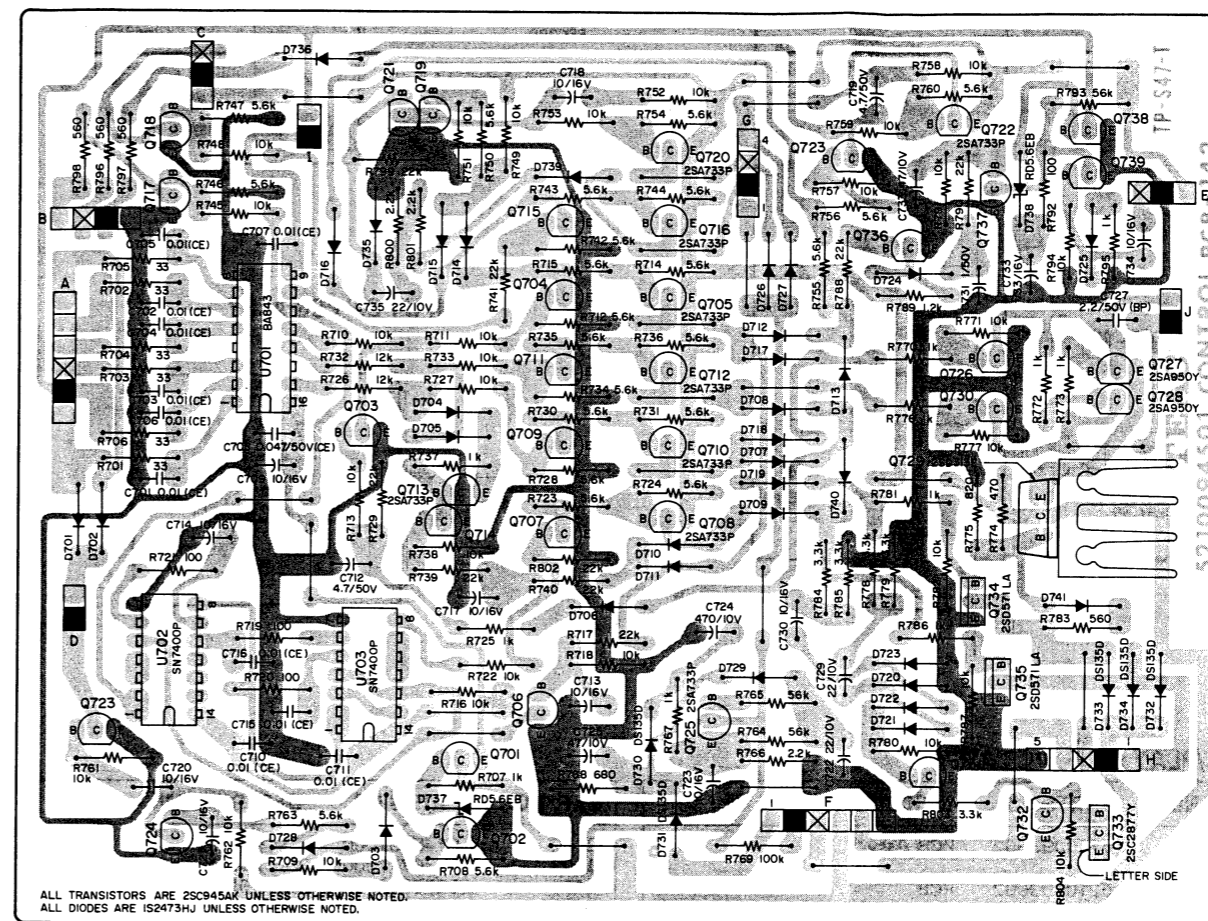


7 PC BOARDS AND PARTS LIST

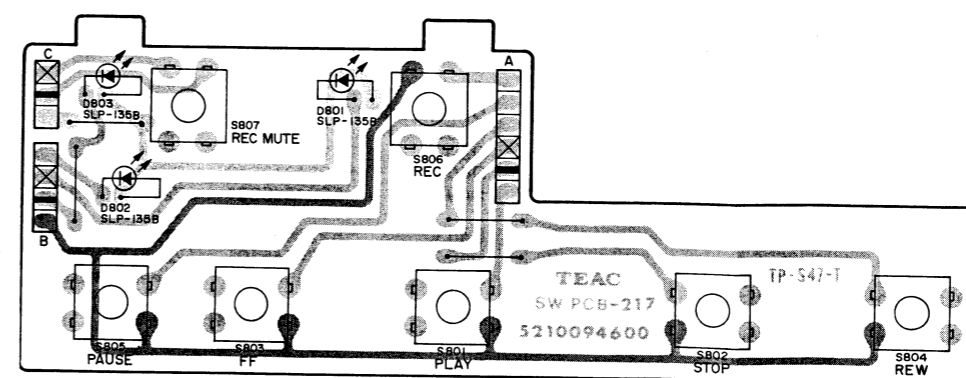
REC/PLAY AMPL PCB ASSY



CONTROL PCB ASSY



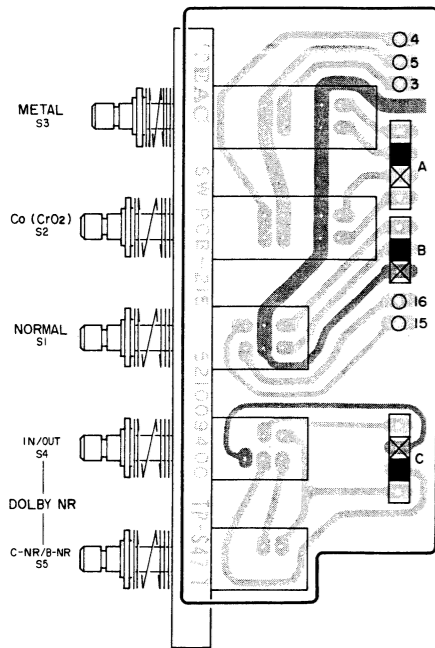
OPERATION SW PCB ASSY



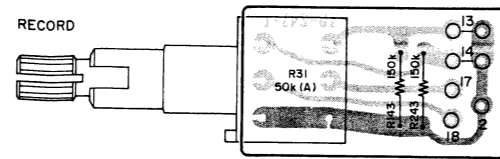
NOTES

1. PC Boards shown viewed from foil side.
2. The colors used on the PCB illustrations have the following significance:
 - : +B power supply circuit
 - : GND
 - : Other (-B power supply circuit)
3. Resistor values are in ohms (k=1,000 ohms, M=1,000,000 ohms).
4. Capacitor values are in microfarads (p=picofarads).
All non-polarized capacitors are ±5% Mylar unless otherwise noted.
5. Δ Parts marked with this sign are safety critical components. They must always be replaced with identical components - refer to the appropriate parts list and ensure exact replacement.

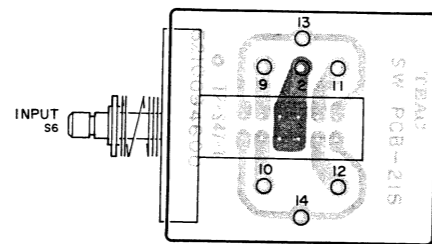
SELECTOR SW PCB ASSY



VR PCB ASSY



INPUT SW PCB ASSY



REC/PLAY AMPL PCB ASSY

REF. NO.	PARTS NO.	DESCRIPTION
	5200093902	PCB Assy
	5210093902	PCB
IC's		
U301	5220412200	TA75557P
U302	5220412200	TA75557P
U501, U601	5220417400	NE652N
U502, U602	5220417500	NE654N
TRANSISTORS		
Q101, Q201	5145119000	2SC1844F
Q102, Q202	5042461000	2SC1327T
Q103, Q203	5230778100	2SC1845F
Q104, Q204	5145185000	2SD655E
Q105, Q205	5145178000	2SC1684S
Q106, Q206	5230016200	2SA992E
Q107, Q207	5145185000	2SD655E
Q108, Q208	5145185000	2SD655E
Q109, Q209	5145151000	2SC1815GR
Q110, Q210	5145151000	2SC1815GR
Q111, Q211	5145151000	2SC1815GR
Q112, Q212	5145185000	2SD655E
Q301	5042553000	2SA733P
Q302	5145091000	2SC945AK
Q303	5145091000	2SC945AK
Q304	5145091000	2SC945AK
Q305	5145091000	2SC945AK
Q306	5042553000	2SA733P
Q307	5145091000	2SC945AK
Q401	5145087000	2SD313E

REF. NO.	PARTS NO.	DESCRIPTION
Q402	5145091000	2SC945AK
Q403	5230777900	2SC2877Y
Q404	5230014000	2SA1020Y
Q405	5145091000	2SC945AK
Q406	5145087000	2SD313E
Q407	5145087000	2SD313E
Q501, Q601	5145091000	2SC945AK
Q502, Q602	5145091000	2SC945AK
Q503, Q603	5145185000	2SD655E
Q504	5145091000	2SC945AK
DIODES		
D101, D201	5143118000	1S2473HJ
D301	5143118000	1S2473HJ
D302	5143118000	1S2473HJ
D401	5224013210	DS135
D402	5224539901	Zener RD4.7EB1
D403	5228005000	W02
D404	5224545101	Zener RD22EB3
D405	5224543501	Zener RD13EB3
CARBON RESISTORS		
All resistors are rated $\pm 5\%$ tolerance and $\frac{1}{4}$ watt unless otherwise noted.		
R101, R201	5181434000	10 Ω
R102, R202	5181522000	47k Ω
R103, R203	5181522000	47k Ω
R104, R204	5181458000	100 Ω
R105, R215	5181498000	4.7k Ω

REF. NO.	PARTS NO.	DESCRIPTION
R106, R206	5181540000	270k Ω
R107, R207	5181472000	390 Ω
R108, R208	5181502000	6.8k Ω
R109, R209	5181490000	2.2k Ω
R110, R210	5181494000	3.3k Ω
R111, R211	5181482000	1k Ω
R112, R212	5181540000	270k Ω
R113, R213	5181540000	270k Ω
R114, R214	5181500000	5.6k Ω
R115, R215	5181514000	22k Ω
R116, R216	5181464000	180 Ω
R117, R217	5181522000	47k Ω
R118, R218	5181506000	10k Ω
R119, R219	5181458000	100 Ω
R120, R220	5181562000	2.2M Ω
R121, R221	5181508000	12k Ω
R122, R222	5181450000	47 Ω
R123, R223	5181534000	150k Ω
R124, R224	5181490000	2.2k Ω
R125, R225	5181526000	68k Ω
R126, R226	5181518000	33k Ω
R127, R227	5181538000	220k Ω
R108, R228	5181458000	100 Ω
R129, R229	5181530000	100k Ω
R130, R230	5181504000	8.2k Ω
R131, R231	5181522000	47k Ω
R132, R232	5181494000	3.3k Ω
R133, R233	5181518000	33k Ω
R134, R234	5181460000	120 Ω
R135, R235	5181490000	2.2k Ω
R136, R236	5181510000	15k Ω
R137, R237	5181514000	22k Ω
R138, R238	5181522000	47k Ω
R139, R239	5181506000	10k Ω
R140, R240	5181524000	56k Ω
R141, R241	5181506000	10k Ω
R142, R242	5181514000	22k Ω
R144, R244	5181540000	270k Ω
R145, R245	5181508000	12k Ω
R146, R246	5181516000	27k Ω
R147, R247	5181502000	6.8k Ω
R148, R248	5181508000	12k Ω
R149, R249	5181500000	5.6k Ω
R150, R250	5181510000	15k Ω
R151, R251	5181496000	3.9k Ω
R152, R252	5181500000	5.6k Ω
R153, R253	5181500000	5.6k Ω
R154, R254	5181484000	1.2k Ω
R301	5181482000	1k Ω
R302	5181482000	1k Ω
R303	5181486000	1.5k Ω
R304	5181506000	10k Ω
R305	5181482000	1k Ω
R306	5181530000	100k Ω
R307	5181530000	100k Ω
R308	5181422000	3.3 Ω
R309	5181482000	1k Ω
R310	5181514000	22k Ω
R311	5181482000	1k Ω
R312	5181506000	10k Ω

REF. NO.	PARTS NO.	DESCRIPTION
R313	5181494000	3.3k Ω
R314	5181506000	10k Ω
R315	5181506000	10k Ω
R316	5181506000	10k Ω
R317	5181500000	5.6k Ω
R318	5181482000	1k Ω
R319	5181500000	5.6k Ω
R320	5181506000	10k Ω
R321	5181506000	10k Ω
R401	5181508000	12k Ω
R402	5181470000	330 Ω
R403	5181490000	2.2k Ω
R404	5181506000	10k Ω
R405	5181490000	2.2k Ω
R406	5181482000	1k Ω
R407	5181482000	1k Ω
R408	5181482000	1k Ω
R409	5181476000	560 Ω
R410	5181490000	2.2k Ω
R411	5181482000	1k Ω
R412	5181504000	8.2k Ω
R501, R601	5183142000	330k Ω
R502, R602	5183144000	390k Ω
R503, R603	5183128000	82k Ω
R504, R604	5183144000	390k Ω
R505, R605	5183142000	330k Ω
R506, R606	5183122000	47k Ω
R507, R607	5183098000	4.7k Ω
R508, R608	5183108000	12k Ω
R509, R609	5183127000	75k Ω
R510, R610	5183091000	2.4k Ω
R511, R611	5183100000	5.6k Ω
R512, R602	5183098000	4.7k Ω
R513, R613	5183082000	1k Ω
R514, R614	5183108000	12k Ω
R515, R615	5183126000	68k Ω
R516, R616	5183090000	2.2k Ω
R517, R617	5183099000	5.1k Ω
R518, R618	5183114000	22k Ω
R519, R619	5183114000	22k Ω
R520, R620	5183114000	22k Ω
R521	5183082000	1k Ω
R522	5183114000	22k Ω
R523	5183122000	47k Ω
R524	5183096000	3.9k Ω
R525, R625	5183082000	1k Ω
R526, R626	5183482000	47k Ω Nonflammable
CAPACITORS		
C101, C201	5173731000	Polypro. 820pF 100V 5%
C102, C202	5260221950	Elec. 1 μ F 16V
C103, C203	5260165050	Elec. 47 μ F 10V
C104, C204	5172304000	Ceramic 22pF 50V 10%
C105, C205	5171858000	Mylar 0.012 μ F 100V 5%
C106, C206	5260221350	Elec. 2.2 μ F 50V
C107, C207	5171862000	Mylar 0.018 μ F 100V 5%
C108, C208	5260221150	Elec. 1 μ F 50V
C109, C209	5260162550	Elec. 10 μ F 16V
C110, C210	5260162550	Elec. 10 μ F 16V

REF. NO.	PARTS NO.	DESCRIPTION		
C111, C211	5260221950	Elec. 10 μ F 16V		
C112, C212	5172312000	Ceramic 100pF 50V	10%	
C113, C213	5260221350	Elec. 2.2 μ F 50V		
C114, C214	5170360000	Mylar 0.0022 μ F 100V	5%	
C115, C215	5260220550	Elec. 0.1 μ F 50V		
C116, C216	5260220950	Elec. 0.47 μ F 50V		
C117, C217	5260162550	Elec. 10 μ F 16V		
C118, C218	5260162550	Elec. 10 μ F 16V		
C119, C219	5173726000	Polypro. 330pF 100V	5%	
C120, C220	5260221950	Elec. 10 μ F 16V		
C121, C221	5260220950	Elec. 0.47 μ F 50V		
C122, C222	5260162550	Elec. 10 μ F 16V		
C123, C223	5170362000	Mylar 0.0027 μ F 100V	5%	
C124, C224	5170364000	Mylar 0.0033 μ F 100V	5%	
C125, C225	5170364000	Mylar 0.0033 μ F 100V	5%	
C126, C226	5170374000	Mylar 0.0082 μ F 100V	5%	
C301	5260166150	Elec. 100 μ F 25V		
C302	5260166150	Elec. 100 μ F 25V		
C303	5260166150	Elec. 100 μ F 25V		
C304	5260160750	Elec. 1 μ F 50V		
C305	5260162650	Elec. 10 μ F 25V		
C306	5260162150	Elec. 4.7 μ F 50V		
C307	5260162150	Elec. 4.7 μ F 50V		
C308	5173055800	Elec. 220 μ F 25V		
C309	5170360000	Mylar 0.0022 μ F 100V	5%	
C401	5260165050	Elec. 47 μ F 10V		
C402	5260165050	Elec. 47 μ F 10V		
C403	Δ 5173090800	Elec. 2200 μ F 35V		
C404	5173056800	Elec. 220 μ F 35V		
C405	5172323000	Ceramic 0.001 μ F 50V	10%	
C406	5173055800	Elec. 220 μ F 25V		
C407	5260166150	Elec. 100 μ F 25V		
C408	5173055800	Elec. 220 μ F 25V		
C409	5260166150	Elec. 100 μ F 25V		
C410	Δ 5173089800	Elec. 2200 μ F 35V		
C411	5172324000	Ceramic 0.001 μ F 50V	10%	
C412	5173055800	Elec. 220 μ F 25V		
C413	5173054800	Elec. 220 μ F 16V		
C414	5173054800	Elec. 220 μ F 16V		
C501, C601	5170441000	Mylar 0.047 μ F 100V	5%	
C502, C602	5170437000	Mylar 0.033 μ F 100V	5%	
C503, C603	5263162213	Meta. 0.1 μ F 50V	5%	
C504, C604	5263162413	Meta. 0.15 μ F 50V	5%	
C505, C605	5170445000	Mylar 0.068 μ F 100V	5%	
C506, C606	5263162213	Meta. 0.1 μ F 50V	5%	
C507, C607	5263162213	Meta. 0.1 μ F 50V	5%	
C508, C608	5170437000	Mylar 0.033 μ F 100V	5%	
C509, C609	5263162613	Meta. 0.22 μ F 50V	5%	
C510, C610	5173010800	Elec. 100 μ F 16V		
C511, C611	5173010800	Elec. 100 μ F 16V		
C512, C612	5173054800	Elec. 220 μ F 16V		
C513, C613	5170417000	Mylar 0.0047 μ F 100V	5%	
C514, C614	5170437000	Mylar 0.033 μ F 100V	5%	
C515, C615	5170417000	Mylar 0.0047 μ F 100V	5%	
C516, C616	5263162213	Meta. 0.1 μ F 50V	5%	
C517, C617	5172992800	Elec. 1 μ F 50V		
C518, C618	5173010800	Elec. 10 μ F 16V		
C519, C619	5170407000	Mylar 0.0018 μ F 100V	5%	
C520, C620	5172992800	Elec. 1 μ F 50V		
C521, C621	5172308000	Ceramic 47pF 50V	10%	
C522, C622	5170449000	Mylar 0.1 μ F 100V	5%	

REF. NO.	PARTS NO.	DESCRIPTION		
C523, C623	5173010000	Elec. 10 μ F 16V		
C524, C624	5173733000	Polypro. 0.0012 μ F 100V	5%	
C525, C625	5173735000	Polypro. 0.0018 μ F 100V	5%	
C526	5173018800	Elec. 22 μ F 16V		
C527	5172996800	Elec. 2.2 μ F 50V		
VARIABLE RESISTORS				
R11, R21	5280003302	Semi-fixed 5k Ω (B)		
R12, R22	5280003602	Semi-fixed 20k Ω (B)		
R13, R23	5280004002	Semi-fixed 50k Ω (B)		
R14, R24	5280004002	Semi-fixed 50k Ω (B)		
R31	5280004002	Semi-fixed 50k Ω (B)		
R32	5280004002	Semi-fixed 50k Ω (B)		
TRIMMER CAPACITORS				
C11, C21	5267205600	100pF		
COILS				
L101, L201	5160151000	Choke 1.2mH (Fixed)		
L102, L202	5286008700	Choke 8.2mH		
L301, L302	5286006700	Choke 1.2mH		
L501, L601	5286010200	Choke 36mH		
MISCELLANEOUS				
U101, U201	5286000200	Trap Coil 100kHz		
U303	5292201700	OSC Unit		
U503, U603	5292802600	Low-pass Filter		
P301	5122130000	Connector Plug, 6P		
P302	5122128000	Connector Plug, 4P		
J101, J201	5330008800	Jack, MIC		
J303	5330008900	Jack, PHONES		
TP1~TP4	5544750000	Pin		
	5126038000	Terminal Assy, In-output		
	5555590000	Plate, GND; A		
	5553132000	Heatsink, IC1625-ST (2 used)		
	5800243600	Heatsink		

CONTROL PCB ASSY

REF. NO.	PARTS NO.	DESCRIPTION
	5200094501	PCB Assy
	5210094501	PCB
IC's		
U701	5147047000	M54410P
U702	5042712000	SN7400N
U703	5042712000	SN7400N
TRANSISTORS		
Q701	5230777700	2SC120Y
Q702~Q704	5145091000	2SC945AK
Q705	5042553000	2SA733P
Q706, Q707	5145091000	2SC945AK
Q708	5042553000	2SA733P
Q709	5145091000	2SC945AK
Q710	5042553000	2SA733P
Q711	5145091000	2SC945AK

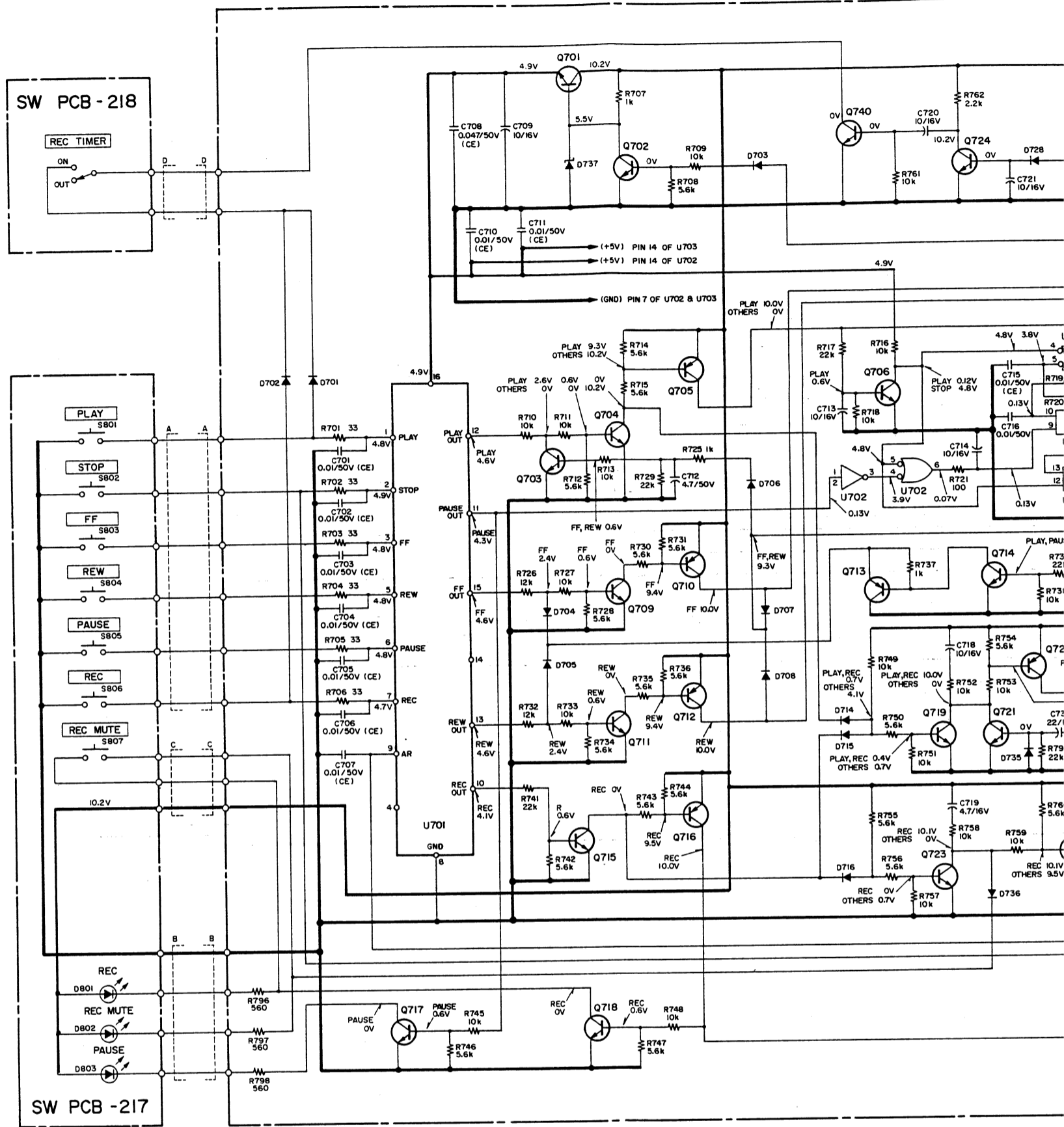
REF. NO.	PARTS NO.	DESCRIPTION
Q712, Q713	5042553000	2SA733P
Q714, Q715	5145091000	2SC945AK
Q716	5042553000	2SA733P
Q717~Q719	5145091000	2SC945AK
Q720	5042553000	2SA733P
Q721	5145091000	2SC945AK
Q722	5042553000	2SA733P
Q723, Q724	5145091000	2SC945AK
Q725	5042553000	2SA733P
Q726	5230777700	2SC2120Y
Q727, Q728	5230016100	2SA950Y
Q729	5145087000	2SD313E
Q730	5230777700	2SC2120Y
Q731	5145091000	2SC945AK
Q732	5042553000	2SA733P
Q733	5230777900	2SC2877Y
Q734, Q35	5145059000	2SD571LA
Q736~Q740	5145091000	2SC945AK
DIODES		
D701~D729	5143118000	1S2473HJ
D730~D734	5224013210	DS135 (A D731 only)
D735, D736	5143118000	1S2473HJ
D737, D738	5224540601	Zener RD5.6EB2
D739~D741	5143118000	1S2473HJ
CARBON RESISTORS All resistors are rated $\pm 5\%$ tolerance and $\frac{1}{4}$ watt.		
R701~R706	5181446000	33 Ω
R707	5181482000	1k Ω
R708	5181500000	5.6k Ω
R709~R711	5181506000	10k Ω
R712	5181500000	5.6k Ω
R713	5181506000	10k Ω
R714, R715	5181500000	5.6k Ω
R716	5181506000	10k Ω
R717	5181514000	22k Ω
R718	5181506000	10k Ω
R719~R721	5181458000	100 Ω
R722	5181506000	10k Ω
R723, R724	5181500000	5.6k Ω
R725	5181482000	1k Ω
R726	5181508000	12k Ω
R727	5181506000	10k Ω
R728	5181500000	5.6k Ω
R629	5181514000	22k Ω
R730, R731	5181500000	5.6k Ω
R732	5181508000	12k Ω
R733	5181506000	10k Ω
R734~R736	5181500000	5.6k Ω
R737	5181482000	1k Ω
R738	5181506000	10k Ω
R739~R741	5181514000	22k Ω
R742~R744	5181500000	5.6k Ω
R745	5181506000	10k Ω
R746, R747	5181500000	5.6k Ω
R748, R749	5181506000	10k Ω
R750	5181500000	5.6k Ω
R751~R753	5181506000	10k Ω
R754~R756	5181500000	5.6k Ω

REF. NO.	PARTS NO.	DESCRIPTION
R757~R759	5181506000	10k Ω
R760	5181500000	5.6k Ω
R761	5181506000	10k Ω
R762	5181520000	39k Ω
R763	5181500000	5.6k Ω
R764, R765	5181524000	56k Ω
R766	5181490000	2.2k Ω
R767	5181482000	1k Ω
R768	5181478000	680 Ω
R769	5181530000	100k Ω
R770	5181482000	1k Ω
R771	5181506000	10k Ω
R772, R773	5181482000	1k Ω
R774	5181474000	470 Ω
R775	5181480000	820 Ω
R776, R777	5181482700	1k Ω
R778, R779	5181494000	3.3k Ω
R780	5181506000	10k Ω
R781	5181482000	1k Ω
R782	5181506000	10k Ω
R783	5181476000	560 Ω
R784, R785	5181494000	3.3k Ω
R786	5181482000	1k Ω
R787	5181506000	10k Ω
R788	5181514000	22k Ω
R789	5181484000	1.2k Ω
R790	5181514000	22k Ω
R791	5181506000	10k Ω
R792	5181520000	39k Ω
R793, R794	5181506000	10k Ω
R795	5181482000	1k Ω
R796~R798	5181476000	560 Ω
R799	5181514000	22k Ω
R800, R801	5181490000	2.2k Ω
R802	5181514000	22k Ω
R803	5181494000	3.3k Ω
R804	5181506000	10k Ω
CAPACITORS		
C701~C707	5172336000	Ceramic 0.01 μ F 50V
C708	5172344000	Ceramic 0.047 μ F 50V
C709	5260162550	Elec. 10 μ F 16V
C710, C711	5172336000	Ceramic 0.01 μ F 50V
C712	5260162150	Elec. 4.7 μ F 50V
C713, C714	5260162550	Elec. 10 μ F 16V
C715, C716	5172336000	Ceramic 0.01 μ F 50V
C717, C718	5260162550	Elec. 10 μ F 16V
C719	5260160550	Elec. 0.47 μ F 50V
C720, C721	5260162550	Elec. 10 μ F 16V
C722	5260163250	Elec. 22 μ F 10V
C723	5260162550	Elec. 10 μ F 16V
C724	5173071800	Elec. 470 μ F 10V
C725	5260165050	Elec. 47 μ F 10V
C727	5260065850	Elec. 2.2 μ F 50V
C729	5260163250	Elec. 22 μ F 10V
C730	5260162550	Elec. 10 μ F 16V
C731	5260160750	Elec. 1 μ F 50V
C732	5260165050	Elec. 47 μ F 10V
C733	5260164250	Elec. 33 μ F 16V
C734	5260162550	Elec. 10 μ F 16V
C735	5260163250	Elec. 22 μ F 10V

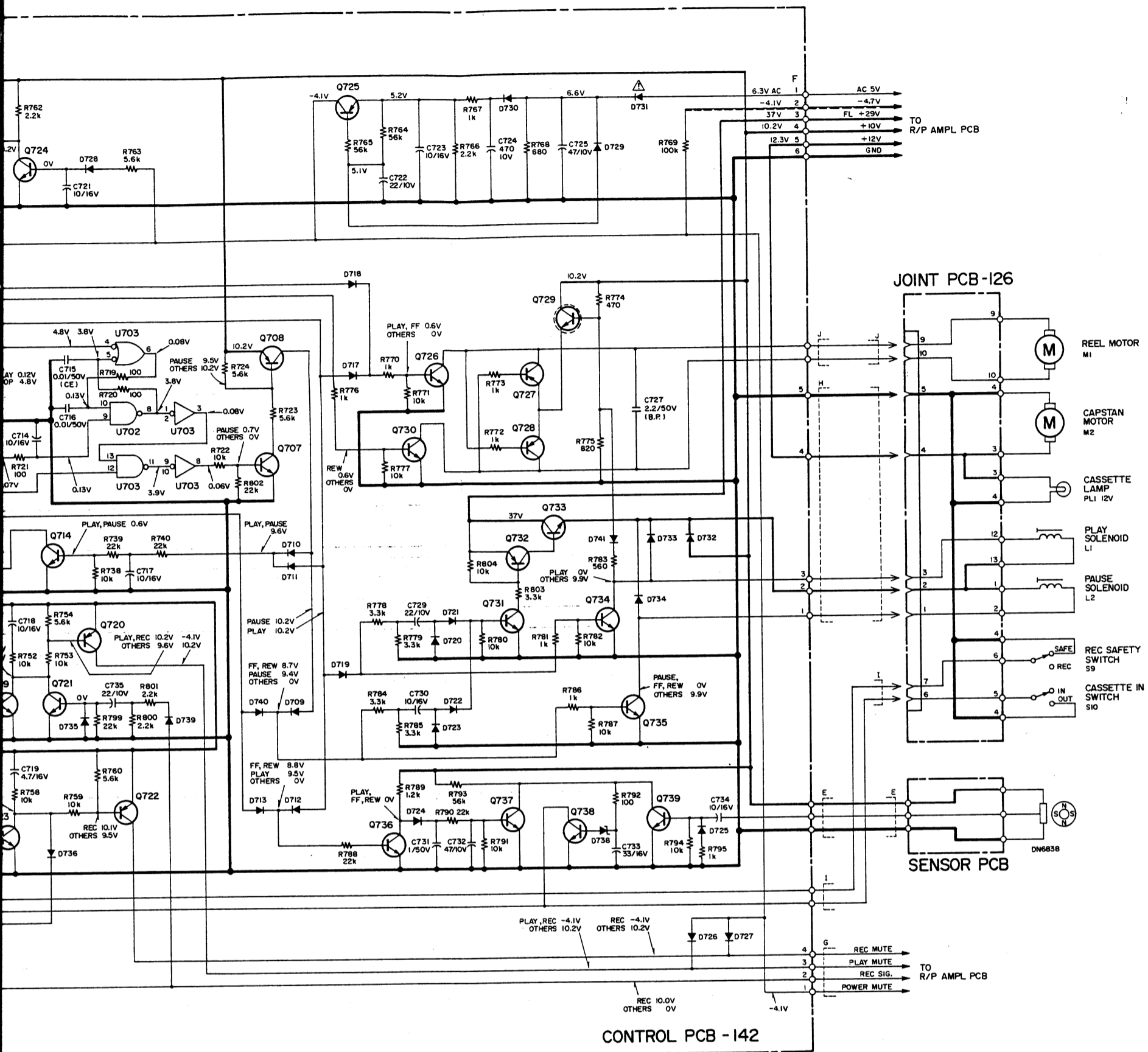
TEAC SCHEMATIC DIAGRAM (CONTROL) V-66C

1 2 3 4 5

A
B
C
D
E
F
G
H

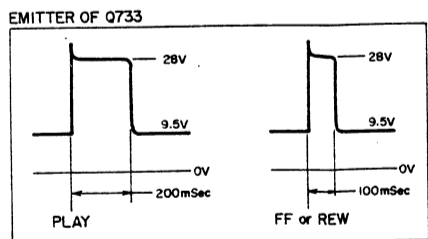


D801	SLP135B	U701	M54410P	Q701	2SC2120Y	Q711	2SC945AK	Q721	2SC945AK	Q731	2SC945AK	D701
D802	SLP135B	U702	SN7400P	Q702	2SC945AK	Q712	2SA733P	Q722	2SA733P	Q732	2SA733P	D702
D803	SLP135B	U703	SN7400P	Q703	2SC945AK	Q713	2SA733P	Q723	2SC945AK	Q733	2SC2877Y	D703
				Q704	2SC945AK	Q714	2SC945AK	Q724	2SC945AK	Q734	2SD571LA	D704
				Q705	2SC945AK	Q715	2SC945AK	Q725	2SA733P	Q735	2SD571LA	D705
				Q706	2SC945AK	Q716	2SA733P	Q726	2SC2120Y	Q736	2SC945AK	D706
				Q707	2SC945AK	Q717	2SC945AK	Q727	2SA950Y	Q737	2SC945AK	D707
				Q708	2SA733P	Q718	2SC945AK	Q728	2SA950Y	Q738	2SC945AK	D708
				Q709	2SC945AK	Q719	2SC945AK	Q729	2SD313E	Q739	2SC945AK	D709
				Q710	2SA733P	Q720	2SA733P	Q730	2SC2120Y			D710



CONTROL PCB - 142

- 2SC945AK
 - 2SA733P
 - 2SC2877Y
 - 2SD571LA
 - 2SD571LA
- D701 ~ D729
 - D730 ~ D734
 - D735, D736
 - D737, D738
 - D739 ~ D741
- IS2473HJ
 - DS135D
 - IS2473HJ
 - RD5.6EB
 - IS2473HJ
- 2SC945AK
 - 2SC945AK
 - 2SC945AK
 - 2SC945AK



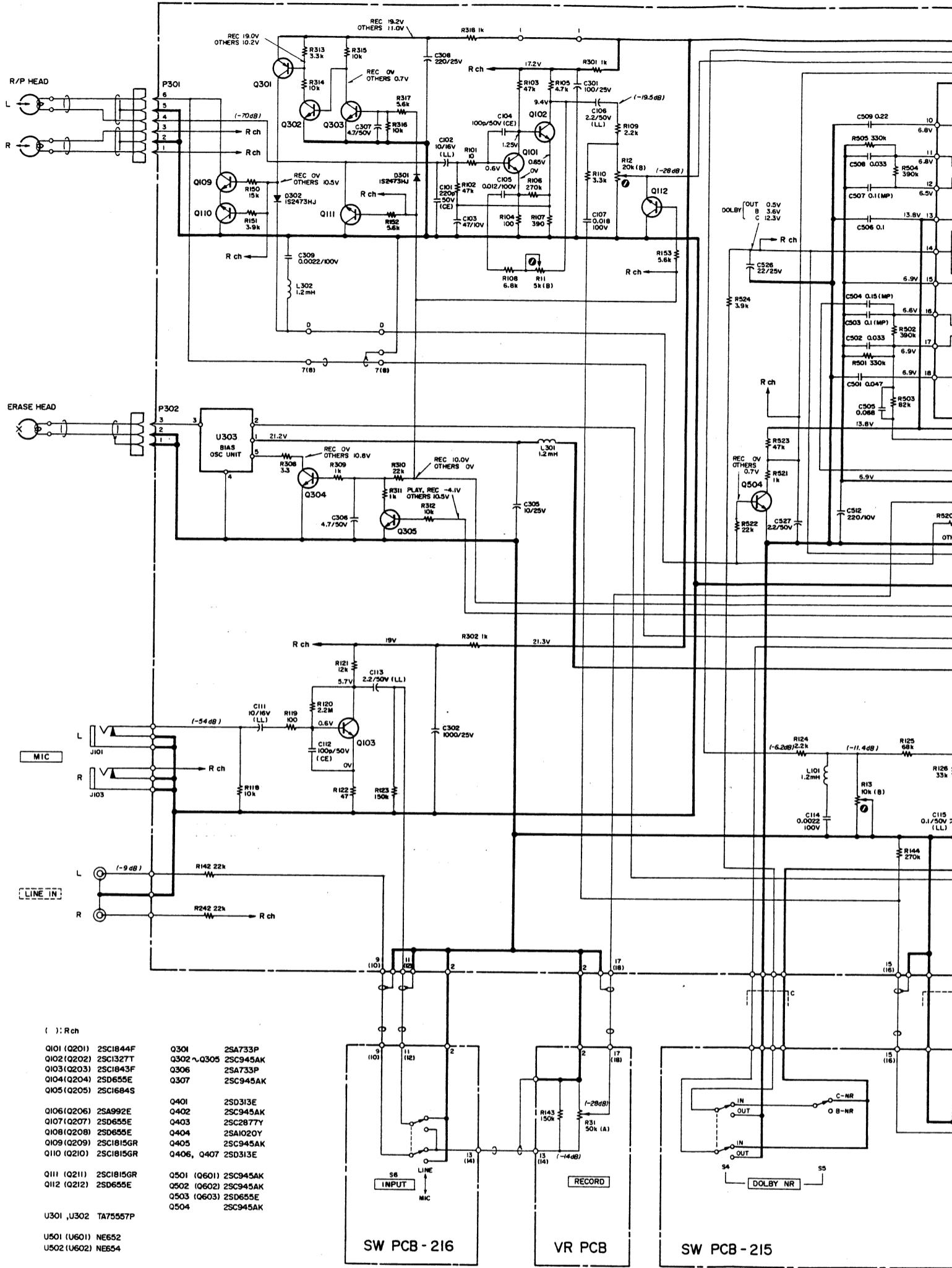
NOTES

1. All resistors are 1/4 watt, ±5%, unless otherwise noted. Resistor values are in ohms (k=1,000 ohms).
2. All capacitor values are in microfarads. All non-polarized capacitors are ±5% Mylar unless otherwise noted.
3. Each voltage value shown above is the one measured in STOP mode unless otherwise noted.
4. : Front panel indication
5. : +B power supply circuit
6. : -B power supply circuit
7. △ Parts marked with this sign are safety critical components. They must always be replaced with identical components - refer to the appropriate parts list and ensure exact replacement.

TEAC SCHEMATIC DIAGRAM (AMPLIFIER) V-66C

1 2 3 4 5

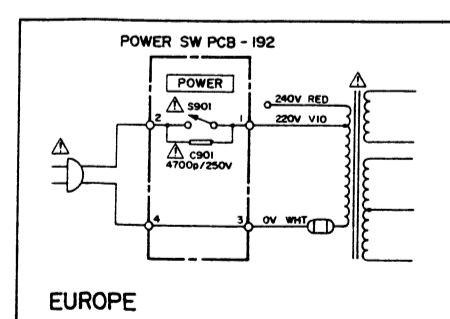
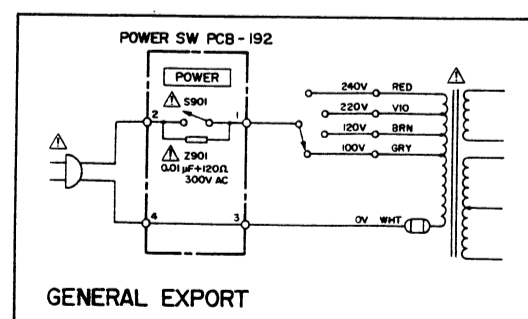
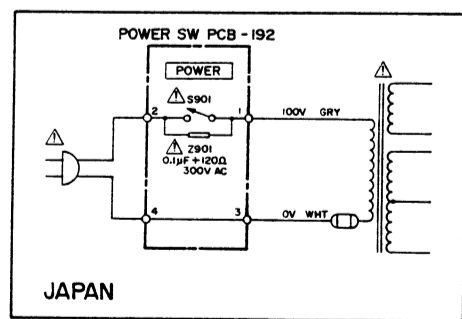
A
B
C
D
E
F
G
H



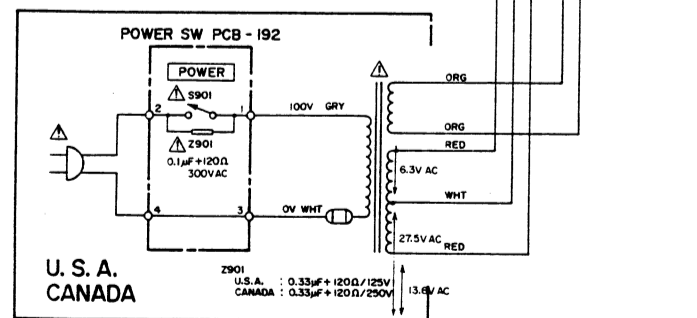
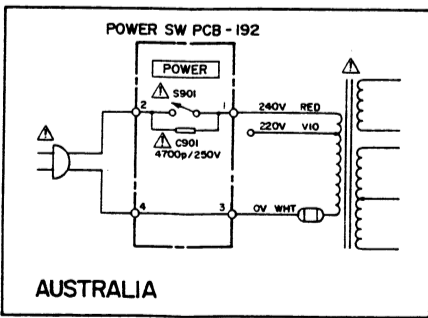
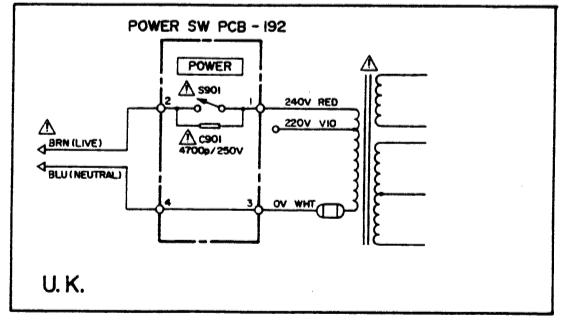
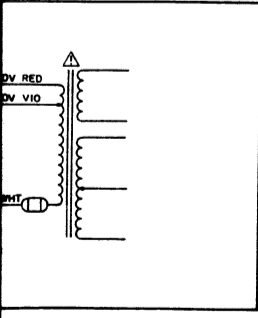
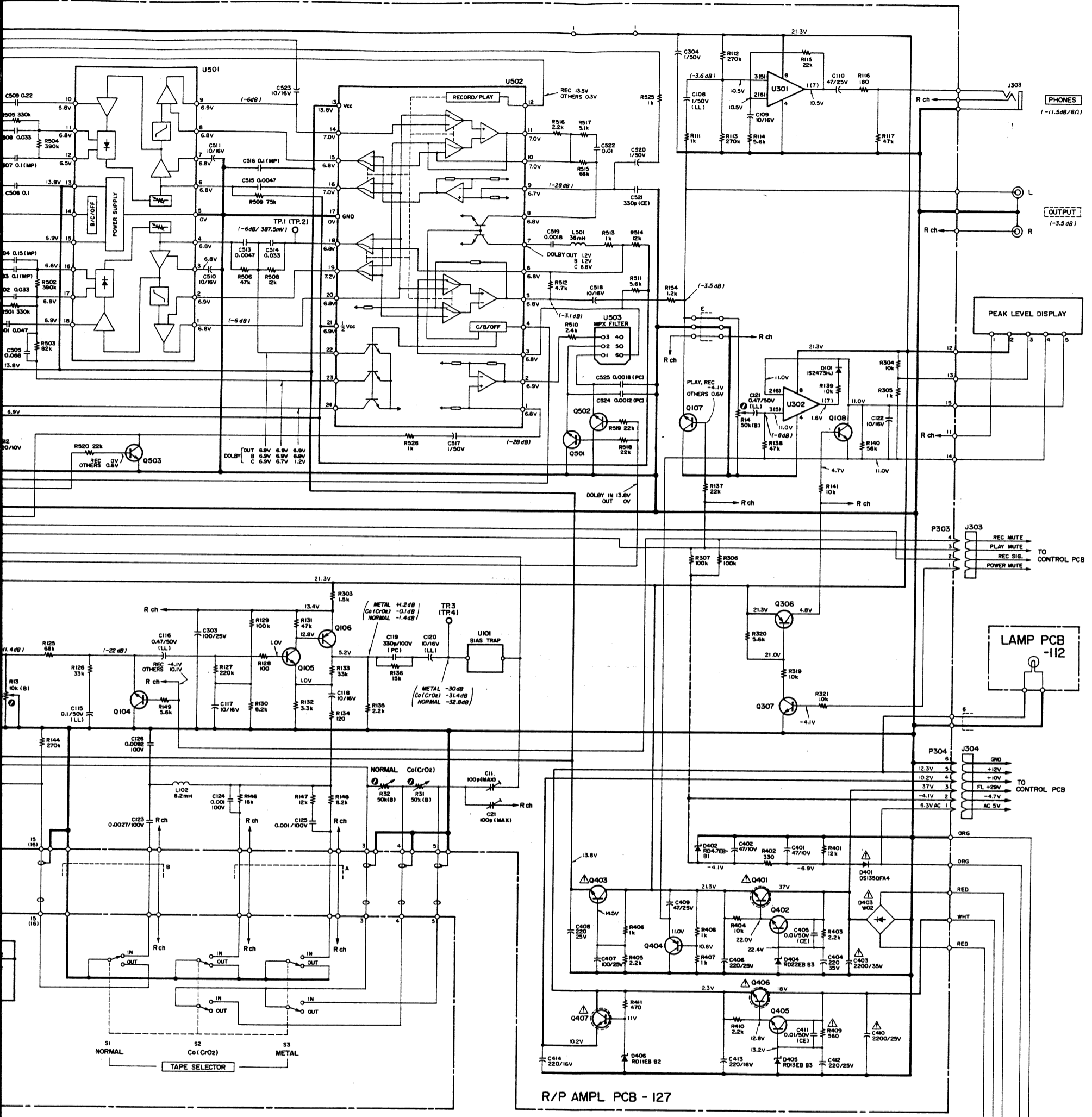
() : Rch

Q101 (Q201)	2SC1844F	Q301	2SA733P
Q102 (Q202)	2SC1327T	Q302 ~ Q305	2SC945AK
Q103 (Q203)	2SC1843F	Q306	2SA733P
Q104 (Q204)	2SD655E	Q307	2SC945AK
Q105 (Q205)	2SC1684S		
Q106 (Q206)	2SA992E	Q401	2SD313E
Q107 (Q207)	2SD655E	Q402	2SC945AK
Q108 (Q208)	2SD655E	Q403	2SC2877Y
Q109 (Q209)	2SC1815GR	Q404	2SA1020Y
Q110 (Q210)	2SC1815GR	Q405	2SC945AK
		Q406, Q407	2SD313E
Q111 (Q211)	2SC1815GR	Q501 (Q601)	2SC945AK
Q112 (Q212)	2SD655E	Q502 (Q602)	2SC945AK
		Q503 (Q603)	2SD655E
		Q504	2SC945AK

U301, U302 TA75577P
U501 (U601) NE652
U502 (U602) NE654



- NOTES**
- Schematic diagram shown for left channel. Numbers in parenthesis indicate right channel.
 - All resistors are 1/4 W, ±5%, unless otherwise noted. Resistor values are in ohms (k=1,000 ohms).
 - Capacitor values are in microfarads (p=pico). All non-polarized capacitors are ±5% Mylar.
 - Voltage and level values are for reference only. Each voltage value shown above is the one unless otherwise noted. 0 dB=0.775V



5. : Front panel indication
 6. : Rear panel indication
 7. : +B power supply circuit
 8. : -B power supply circuit
 9. : Parts marked with this sign are safety critical components. They must always be replaced with identical components - refer to the appropriate parts list and ensure exact replacement.

V-66C Stereo Cassette Deck

OPERATION SW PCB ASSY

REF. NO.	PARTS NO.	DESCRIPTION
	5200094600	PCB Assy
	5210094600	PCB
S801~S807 D801~D803	5302101400 5225005400	Tact Switch, KHG-10905 LED, SLP-135B

SELECTOR SW PCB ASSY

REF. NO.	PARTS NO.	DESCRIPTION
	5200094000	PCB Assy
	5210094000	PCB
	5300030100	Push Switch, 5-gang

VR PCB ASSY

REF. NO.	PARTS NO.	DESCRIPTION
	5200094200	PCB Assy
	5210094200	PCB
R31 R143, R243	5282706602 5181534000	Var. Res., 50k Ω (A) x 2 Carbon Res., 150k Ω 1/4W 5%

INPUT SW PCB ASSY

REF. NO.	PARTS NO.	DESCRIPTION
	5200094100	PCB Assy
	5210094100	PCB
	5300030000	Push Switch, 4-2N

JOINT PCB ASSY (PC Board Omitted)

REF. NO.	PARTS NO.	DESCRIPTION
	5200066701	PCB Assy
	5210066701	PCB
	5336089200	Connector Socket, 12P

TIMER SW PCB ASSY (PC Board Omitted)

REF. NO.	PARTS NO.	DESCRIPTION
	5200094700	PCB Assy
	5210094700	PCB
	5300028700	Push Switch, 2-2N

SENSOR PCB ASSY (PC Board Omitted)

REF. NO.	PARTS NO.	DESCRIPTION
	5200094800	PCB Assy
	5210094800	PCB
	5228700100	Hall IC, DN6838

LAMP PCB ASSY (PC Board Omitted)

REF. NO.	PARTS NO.	DESCRIPTION
	5200094300	PCB Assy
	5210094300	PCB
	5310006300 5800392400	Lamp, DC12V 55mA Lamp Cover

POWER SW PCB ASSY (PC Board Omitted)

REF. NO.	PARTS NO.	DESCRIPTION
	5200073200	PCB Assy [J]
	5200073210	PCB Assy [US]
	5200073220	PCB Assy [C]
	5200073230	PCB Assy [GE]
	5200073240	PCB Assy [E, UK]
	5200073250	PCB Assy [A]
	5210073200	PCB
S401	▲5300027000	Push Switch, 1-1 [J]
S401	▲5300027100	Push Switch, 1-1 [US, C]
S401	▲5300027200	Push Switch, 1-1 [GE, E, UK, A]
Z401	▲5052905000	Spark Killer, 0.1 μ F + 120 Ω /300V [J]
Z401	▲5052910000	Spark Killer, 0.033 μ F + 120 Ω /125V [US]
Z401	▲5292002600	Spark Killer, 0.033 μ F + 120 Ω /125V [C]
Z401	▲5292002500	Spark Killer, 0.01 μ F + 300 Ω [GE]
Z401	▲5267702500	Spark Killer, 0.0047 μ F/250V [E, UK, A]

[US]: U.S.A. [C]: CANADA [GE]: GENERAL EXPORT [E]: EUROPE [UK]: U.K.
[A]: AUSTRALIA [J]: JAPAN